

Dell PowerEdge C6105
Systems
Hardware Owner's
Manual

Regulatory Model B03S



Notes, Cautions, and Warnings



NOTE: A NOTE indicates important information that helps you make better user of your computer.



CAUTION: A CAUTION indicates potential damage to hardware or loss of data if instructions are not followed.



WARNING: A WARNING indicates a potential for property damage, personal injury, or death.

**Information in this publication is subject to change without notice.
© 2010 Dell Inc. All rights reserved.**

Reproduction of these materials in any manner whatsoever without the written permission of Dell Inc. is strictly forbidden.

Trademarks used in this text: Dell™, the DELL logo, and PowerEdge™ are trademarks of Dell Inc. AMD® is a registered trademark of Advanced Micro Devices, Inc.

Other trademarks and trade names may be used in this publication to refer to either the entities claiming the marks and names or their products. Dell Inc. disclaims any proprietary interest in trademarks and trade names other than its own.

Regulatory Model B03S

September 2010

Rev. A00

Contents

1	About Your System.....	11
	Accessing System Features During Startup.....	11
	Front-Panel Features and Indicators.....	12
	Hard-Drive Indicator Patterns	14
	Back Panel Features and Indicators.....	18
	NIC Indicator Codes	20
	Power and System Board Indicator Codes.....	21
	Power Supply Indicator Codes.....	22
	BMC Heart Beat LED	23
	Post Error Code	24
	Collecting System Event Log (SEL) for Investigation	24
	Other Information You May Need.....	28
2	Using the System Setup Program	30
	Start Menu	30
	System Setup Options at Boot	31
	Console Redirection.....	31
	Main Menu.....	32
	Main Screen	32
	BIOS Firmware	33
	System Firmware.....	33
	Product Information	33
	Processor.....	33

System Memory	34
Advanced Menu.....	34
CPU Configuration.....	35
Memory Configuration	38
SATA Configuration.....	39
Hyper Transport Configuration	42
PCI Configuration	43
USB Configuration	44
Boot Menu.....	45
Boot Settings Configuration.....	47
Boot Device Priority.....	48
Server Menu	49
LAN Configuration	51
Remote Access Configuration	52
View BMC System Event Log	53
Security Menu	54
Exit Menu	56
3 Installing System Components	58
Safety Instructions	58
Recommended Tools.....	58
Inside the System	59
Hard Drives	60
Removing a Hard-Drive Blank.....	60
Installing a Hard-Drive Blank.....	61

Removing a Hard-Drive Carrier	61
Installing a Hard-Drive Carrier.....	62
Removing a Hard Drive From a Hard-Drive Carrier.....	63
Installing a Hard Drive into a Hard-Drive Carrier.....	64
Power Supplies	65
Recommended configuration	65
Full Configuration	66
Removing a Power Supply	66
Installing a Power Supply.....	67
System-Board Assembly.....	68
Removing a System-Board Assembly	68
Installing a System-Board Assembly.....	69
Heat Sinks.....	70
Removing the Heat Sink.....	70
Installing the Heat Sink	71
Processors	72
Removing a Processor	72
Installing a Processor.....	73
Expansion-Card Assembly and Expansion Card	75
Removing the Expansion Card.....	75
Installing the Expansion Card	77
Expansion-Card Connector.....	78
Removing the Expansion-Card Connector.....	78
Installing the Expansion-Card Connector	80

Daughter Card	80
Removing the SAS Daughter Card	80
Installing the SAS Daughter Card	81
System Memory	82
Supported DIMM Configuration.....	82
Removing the Memory Modules.....	84
Installing the Memory Modules	85
Interposer Extenders	87
Removing the Interposer Extender	87
Installing the Interposer Extender	88
System Battery	89
Replacing the System Battery.....	89
RAID Battery (Optional)	91
Removing the RAID Battery.....	91
Installing the RAID Battery.....	92
Removing the RAID Battery Carrier.....	93
Installing the RAID Battery Carrier	94
System Board	95
Removing a System Board	95
Installing a System Board	96
Opening and Closing the System	97
Opening the System	97
Closing the System	98
Cooling Fans	98

Removing a Cooling Fan	98
Installing a Cooling Fan	100
Power Distribution Boards	100
Removing a Power Distribution Board.....	100
Installing a Power Distribution Board.....	102
Fan Controller Board	103
Removing the Fan Controller Board.....	103
Installing the Fan Controller Board	105
Middle Planes.....	105
Removing the Middle Planes.....	105
Installing the Middle Planes	110
Backplanes	112
Removing the Backplane	112
Installing the Backplane.....	115
Expander Card (Optional).....	116
Removing the Expander Card	116
Installing the Expander Card	120
Front Panels	121
Removing the Front Panel.....	121
Installing the Front Panel.....	124
Sensor Boards	125
Removing the Sensor Board for 3.5" HDD System	125
Installing the Sensor Board for 3.5" HDD System	127
Removing the Sensor Board for 2.5" HDD System	128

	Installing the Sensor Board for 2.5” HDD System	130
4	Troubleshooting Your System.....	132
	Safety First – For You and Your System	132
	Installation Problems	132
	Troubleshooting System Startup Failure	133
	Troubleshooting External Connections	133
	Troubleshooting the Video Subsystem	133
	Troubleshooting a USB Device	133
	Troubleshooting a Serial I/O Device	134
	Troubleshooting a NIC	135
	Troubleshooting a Wet System	136
	Troubleshooting a Damaged System	137
	Troubleshooting the System Battery	137
	Troubleshooting Power Supplies	138
	Troubleshooting System Cooling Problems	139
	Troubleshooting a Fan	139
	Troubleshooting System Memory	140
	Troubleshooting a Hard Drive	142
	Troubleshooting a Storage Controller	143
	Troubleshooting Expansion Cards	144
	Troubleshooting Processors	145
	IRQ Assignment Conflicts	146
5	Jumpers and Connectors.....	147
	System Board Connectors	147
	Backplane Connectors	148

Expander Card Connectors	152
Middle Plane Connectors	153
Interposer Extender Connectors	154
Daughter Card Connectors	155
Fan Controller Board Connectors	156
Power Distribution Board Connectors	157
Sensor Board Connectors	158
Jumper Settings	158
System Configuration Jumper Settings	158
Backplane Jumper Settings	159
Backplane Expander Card Jumper Settings	160
6 Getting Help	162
Contacting Dell	162
Index	163

About Your System

Accessing System Features During Startup

The following keystrokes provide access to system features during startup.

Keystroke	Description
<F2>	Enters the System Setup program. See “Start Menu” on page 30.
<F11>	Enters the BIOS Boot Manager. See “System Setup Options at Boot” on page 31.
<F12>	Starts Preboot eXecution Environment (PXE) boot.
<Ctrl> <C>	Enters the SAS 2008 Daughter Card Configuration Utility. For more information, see the SAS adapter documentation.
<Ctrl> <H>	Enters the LSI 9260 configuration utility. For more information, see the documentation for your SAS RAID card.
<Ctrl> <S>	Enters the utility to configure NIC settings for PXE boot. For more information, see the documentation for your integrated NIC.
<Ctrl> <HOME>	BIOS recovery during Boot Block.

Front-Panel Features and Indicators

Figure 1-1. Front Panel-3.5" Hard Drives With Four System Boards

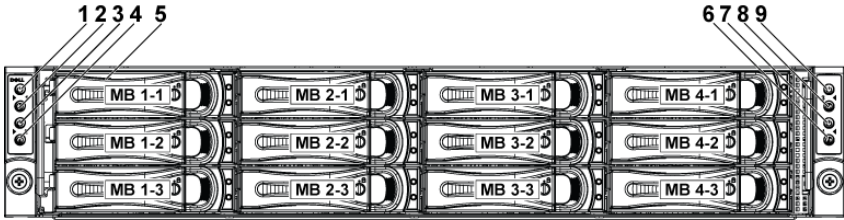


Figure 1-2. Front Panel – 3.5" Hard Drives With Two System Boards

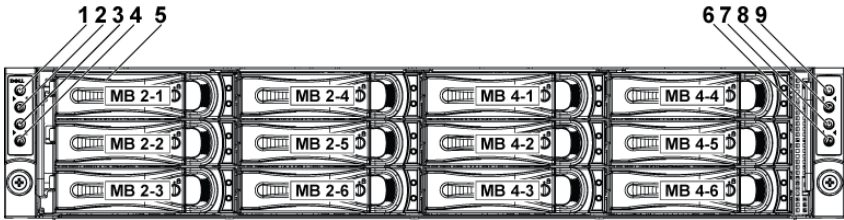


Figure 1-3. Front Panel- 2.5" Hard Drives With Four System Boards

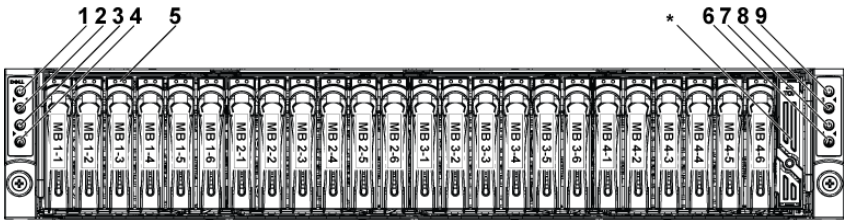
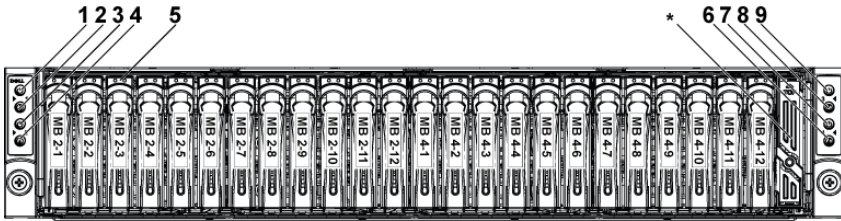




Figure 1-4. Front Panel—2.5” Hard Drives With Two System Boards

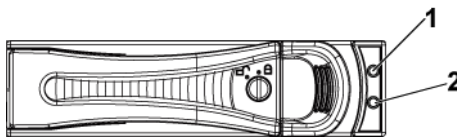


Item	Indicator, Button Or Connector	Icon	Description
1,3,7,9	Power-on indicator/ power button (system boards 1,2,4,3)		<p>The power-on indicator lights when the system power is on. The power button controls the DC power supply output to the system.</p> <p>NOTE: When powering on the system, the video monitor can take from several seconds to over 2 minutes to display an image, depending on the amount of memory installed in the system.</p> <p>NOTE: On ACPI-compliant operating systems, turning off the system using the power button causes the system to perform a graceful shutdown before power to the system is turned off.</p> <p>NOTE: To force an ungraceful shutdown, press and hold the power button for 5 seconds.</p>

Item	Indicator, Button Or Connector	Icon	Description
2,4,6,8	System identification indicator/button (system boards 1,2,4,3)		The identification button can be used to locate a particular system and system board within a chassis. When the button is pushed, the blue system status indicator on the front and back blink until the button is pushed again.
5	Hard Drives		Up to twelve hot-swappable 3.5-inch hard drives. Up to twenty four hot-swappable 2.5-inch hard drives.
*	Drive Cover		Applicable only for 2.5" hard drive system.

Hard-Drive Indicator Patterns

Figure 1-5. Hard Drive Indicators



- | | | | |
|---|---------------------------------------|---|---|
| 1 | hard-drive activity indicator (green) | 2 | hard-drive status indicator (green and amber) |
|---|---------------------------------------|---|---|

Table 1-1. Hard Drive Status Indicators

For 2.5"/3.5" Hard-Drive Backplane (CPLD)

Controller	HDD Type	Function	Activity LED	Status LED	
			Green	Green	Amber
SP5100	SATA2	Drive on-line	Off/ Blinking when active	On	Off
		Fail	Off	On	Off
LSI 9260 / LSI 2008	SAS / SATA2	Slot Empty	Off	Off	Off
		Drive On-line/Access	Blinking when active	On	Off
		Drive Fail	Off	Off	Blinking 2Hz
		Drive Rebuild	Blinking when active	Blinking 1Hz	Off
		Drive Identify	Blinking when active	Blinking 2Hz	Off

For 2.5" Hard-Drive Backplane with Expander

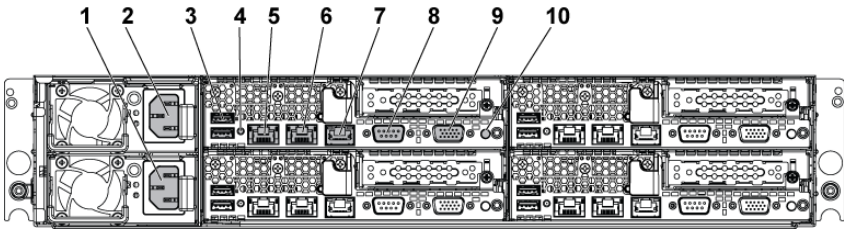
Controller	HDD Type	Function	Activity LED	Status LED	
			Green	Green	Amber
LSI 9260	SAS / SATA2	Slot Empty	Off	Off	Off
		Drive On-Line	Off/ Blinking when active	On	Off
		Drive Identify/ Preparing for removal	Off/ Blinking when active	On 250ms Blinking 2Hz Off 250ms	Off
		Drive Rebuild	Off/ Blinking when active	On 400ms Blinking 2Hz Off 100ms	Off
		Drive Fail	Off	Off	On 125ms Blinking 4Hz Off 125ms
		Predicted Failure (SMART)	Off/ Blinking when active	On 500ms Off 500ms Blinking 0.5Hz Off 1000ms	On 500ms Off 500ms Blinking 0.5Hz Off 1000ms



For 2.5” Hard-Drive Backplane with Expander

Controller	HDD Type	Function	Activity LED	Status LED	
			Green	Green	Amber
LSI 9260	SAS / SATA2	Rebuild	Off	On	On 3000ms
			Off	3000ms	Off 3000ms
		Abort	Off	Blinking	0.08Hz
			3000ms	Off 3000ms	0.08Hz
		Off	Off 3000ms	Off 3000ms	
		3000ms	Off	3000ms	
		Off	3000ms	Off	
		3000ms	Off	3000ms	
3000ms	Off	3000ms			
LSI 2008	SAS / SATA2	Slot Empty	Off	Off	Off
		Drive On-Line	Off/ Blinking when active	On	Off
		Drive Identify/ Preparing for removal	Off/ Blinking when active	On 250ms Blinking 2Hz Off 250ms	Off
		Drive Rebuild	Off/ Blinking when active	On 400ms Blinking 2Hz Off 100ms	Off
		Drive Fail	Off	Off	On 125ms Blinking 4Hz Off 125ms

Back Panel Features and Indicators

Figure 1-6. Back Panel—Four System Boards



Item	Indicator, Button Or Connector	Icon	Description
1	Power supply 2		470W/750W/1100W/1400W
2	Power supply 1		470W/750W/1100W/1400W
3	USB ports (2)		Connect USB devices to the system. The ports are USB 2.0-compliant
4	System identification indicator		Both the systems management software and the identification buttons located on the front can cause the indicator to flash blue to identify a particular system and system board. Lights amber when the system needs attention due to a problem.
5	NIC connector 1		Embedded 10/100/1000 NIC connectors.






6	NIC connector 2		Embedded 10/100/1000 NIC connectors.
7	Management port		Dedicated management port.
8	Serial port		Connects a serial device to the system.
9	VGA port		Connects a VGA display to the system.
10	Power-on indicator/power button		<p>The power-on indicator lights when the system power is on. The power button controls the DC power supply output to the system.</p> <p>NOTE: When powering on the system, the video monitor can take from several seconds to over 2 minutes to display an image, depending on the amount of memory installed in the system.</p> <p>NOTE: On ACPI-compliant operating systems, turning off the system using the power button causes the system to perform a graceful shutdown before power to the system is turned off.</p> <p>NOTE: To force an ungraceful shutdown, press and hold the power button for five seconds.</p>

Figure 1-7. Enumeration – Four System Boards

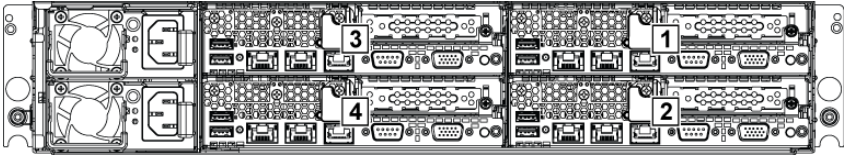
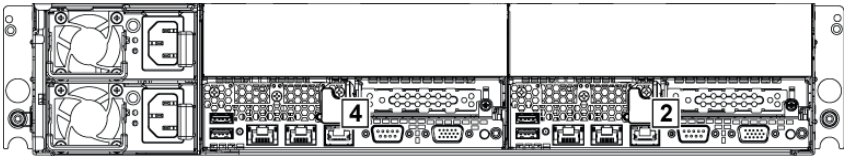
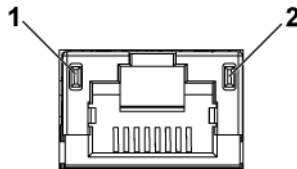


Figure 1-8. Enumeration – Two System Boards



NIC Indicator Codes

Figure 1-9. NIC Indicators

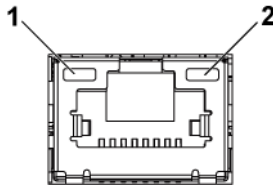


1 link/activity indicator 2 speed indicator

NIC Status Indicator (link/activity)	Condition
Solid green	LAN linking/No access
Blinks green	LAN accessing
Off	No link

NIC Status Indicator (speed)	Condition
Solid green	Linking at 100Mbps speed
Solid amber	Linking at 1000Mbps speed
Off	No link

Figure 1-10. NIC Indicators (Management Port)



1 link/activity indicator 2 speed indicator

NIC Status Indicator (link/activity)	Condition
Solid green	LAN linking/Accessing
Off	No link

NIC Status Indicator (speed)	Condition
Solid green	Linking at 10Mbps speed
Solid amber	Linking at 100Mbps speed
Off	No link

Power and System Board Indicator Codes

The LEDs on the system front panel and back panel display status codes during system startup. For location of the LEDs on the front panel, see Figure 1-1 for 3.5” hard drive and Figure 1-3 for 2.5” hard drive systems. For location of the LEDs on the back panel, see Figure 1-6.

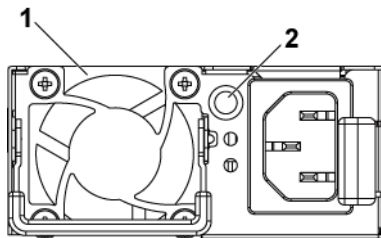
Table 1-2 lists the status associated with the status codes.

Table 1-2. Status Indicator Codes

Component	Indicator	Condition
Power-on indicator	Steady Green	Power On S0/S1
	Blinks Amber	BMC Critical condition event in Power Off mode S5
	Blinks Green/Amber	BMC Critical condition event in Power On mode S0/S1
System identification indicator	Steady Blue	IPMI Via OEM Command On
	Blinks Blue	IPMI using Chassis Identify Command Blink On or ID Button Press ID On
	Off	IPMI using Chassis Identify Command Off or ID Button Press ID Off

Power Supply Indicator Codes

Figure 1-11. Power Supply Status Indicator



1 power supply

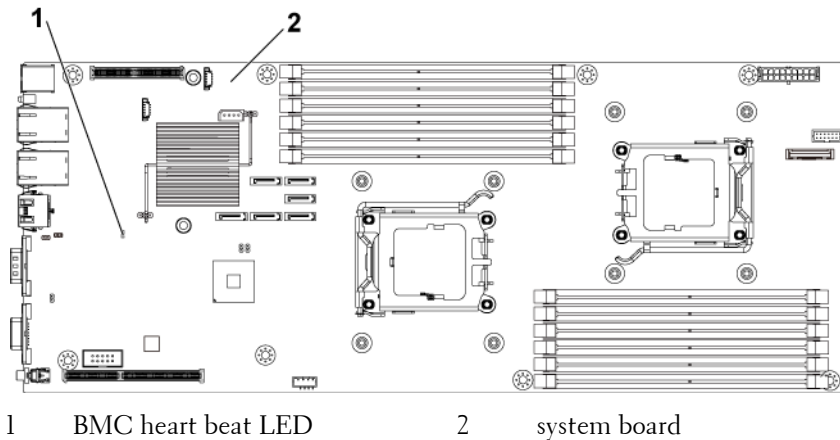
2 AC power LED

AC Power LED	Condition
Solid green	Power supply is on (AC OK/DC OK) or in standby mode (90 VAC-264 VAC for 470W/750W/1100W, 180 VAC-264 VAC for 1400W)
Solid yellow	Power supply is at fault condition (UVP/OVP/OCP/SCP/OTP/Fan Fault)
Off	Power supply is off or AC input voltage is out of normal operating range (90 VAC-264 VAC for 470W/750W/1100W, 180 VAC-264 VAC for 1400W)

BMC Heart Beat LED

The system board provides BMC heart beat LED (D5) for BMC debugs. When BMC firmware is ready, the BMC heart beat LED blinks.

Figure 1-12. BMC Heart Beat LED



Post Error Code

Collecting System Event Log (SEL) for Investigation

Whenever possible, the BIOS will output the current boot progress codes on the video screen. Progress codes are 32-bit quantities plus optional data. The 32-bit numbers include class, subclass, and operation information. The class and subclass fields point to the type of hardware that is being initialized. The operation field represents the specific initialization activity. Based on the data bit availability to display progress codes, a progress code can be customized to fit the data width. The higher the data bit, the higher the granularity of information that can be sent on the progress port. The progress codes may be reported by the system BIOS or option ROMs. The Response section in the following table is divided into 3 types:

- 1 **Warning or Not an error** – The message is displayed on the screen. An error record is logged to the SEL. The system will continue booting with a degraded state. The user may want to replace the erroneous unit.
- 2 **Pause** – The message is displayed on the screen, an error is logged to the SEL, and user input is required to continue. The user can take immediate corrective action or choose to continue booting.
- 3 **Halt** – The message is displayed on the screen, an error is logged to the SEL, and the system cannot boot unless the error is resolved. The user needs to replace the faulty part and restart the system.

Error Code	Error Message	Response
0000	Timer Error	Pause
0003	CMOS Battery Low	Pause
0004	CMOS Settings Wrong	Pause
0005	CMOS Checksum Bad	Pause
000B	CMOS Memory Size Wrong	Pause
000C	RAM Read/Write Test Failed	Pause

Error Code	Error Message	Response
000E	A: Driver Error	Pause
000F	B: Driver Error	Pause
0012	CMOS Date/Time Not Set	Pause
0040	Refresh Timer Test Failed	Halt
0041	Display Memory Test Failed	Pause
0042	CMOS Display Type Wrong	Pause
0044	DMA Controller Error	Halt
0045	DMA-1 Error	Halt
0046	DMA-2 Error	Halt
0047	Unknown BIOS error. Error code = 0047	Halt
0048	Password Check Failed	Halt
0049	Unknown BIOS error. Error code = 0049	Halt
004A	Unknown BIOS error. Error code = 004A	Pause
004B	Unknown BIOS error. Error code = 004B	Pause
005D	S.M.A.R.T. Command Failed S.M.A.R.T. Status BAD, Backup and Replace	Pause
005E	Password Check Failed	Pause
0060	Primary Master Hard Disk Error	Pause
0061	Primary Salve Hard Disk Error	Pause
0062	Secondary Master Hard Disk Error	Pause
0063	Secondary Salve Hard Disk Error	Pause
0080	Primary Master Drive – ATAPI Incompatible	Pause

Error Code	Error Message	Response
0081	Primary Salve Drive – ATAPI Incompatible	Pause
0082	Secondary Master Drive – ATAPI Incompatible	Pause
0083	Secondary Salve Drive – ATAPI Incompatible	Pause
0160	The processors installed in your system are not able to match their frequencies.	Pause
0162	The processors installed in your system do not have the same cache size.	Halt
0163	The processor(s) installed in your system are not known by the BIOS. Please contact your BIOS vendor for appropriate updates.	Pause
0164	Multiple core processors cannot be installed with single core processors.	Halt
0165	The processor(s) installed in your system are of an unknown revision. Please contact your BIOS vendor for appropriate updates.	Pause
4100	Node(s) - no valid DIMM configuration detected	Pause
4101	DIMM(s) checksum error detected	Pause
4102	DIMM module type(buffer) mismatch	Pause
4103	DIMM CL/T mismatch	Pause
4104	DIMM organization mismatch (128-bit)	Pause
4105	SPD missing Trc or Trfc info	Pause
4106	SPD missing byte 23 or 25	Pause
4107	Bank interleave requested but not enabled	Warning

Error Code	Error Message	Response
4108	Dram ECC requested but not enabled	Pause
4109	Online spare requested but not enabled	Pause
410A	DIMM(s) Running in Minimum Mode	Pause
410B	No DQS Receiver Enable pass window found	Pause
410C	DQS Rcvr En pass window CHA to CH B too large	Pause
410D	DQS Rcvr En pass window too small (far right of dynamic range)	Pause
4160	The processor(s) installed in your system are not multiprocessing capable.	halt
5120	CMOS cleared by jumper	Pause
5121	Password cleared by jumper	Pause
8101	Warning! USB Host Controller not found at the specified address!!!	Warning
8102	Error! USB device failed to initialize!!!	Warning
8103	Warning! Unsupported UBS device found and disabled!!!	Warning
8104	Warning! Port 60h/64h emulation is not supported by this USB Host Controller!!!	Warning
8105	Warning! EHCI controller disabled. It requires 64bit data support in the BIOS.	Pause
8400	Warning!! Insufficient memory! Remote access is disabled.	Warning
8601	Error: BMC Not Responding	Pause
8701	Insufficient Runtime space for MPS data!! System may operate in PIC or Non-MPS mode.	Pause

Error Code	Error Message	Response
8702	No enough APIC ID in range 0-0Fh can be assigned to IO APICs. (Re-assigning CPUs' local APIC ID may solve this issue) MPS Table is not built! System may operate in PIC or Non-MPS mode.	Pause

Other Information You May Need



WARNING: See the safety and regulatory information that shipped with your system. Warranty information may be included within this document or as a separate document.

The *Getting Started Guide* provides an overview of rack installation, system features, setting up your system, and technical specifications.



NOTE: Always check for updates on support.dell.com/manuals and read the updates first because they often supersede information in other documents.

Using the System Setup Program

Start Menu

The system employs the latest AMI CMOS BIOS, which is stored in Flash memory. The Flash memory supports the Plug and Play specification, and contains a System Setup program, the Power On Self Test (POST) routine, and the PCI auto-configuration utility.

This system board supports system BIOS shadowing, enabling the BIOS to execute from 64-bit onboard write-protected DRAM.

This Setup utility should be executed under the following conditions:

- When changing the system configuration, configure items such as:
 - Hard drives, diskette drives, and peripherals
 - Password protection from unauthorized use
 - Power management features
- When a configuration error is detected by the system and you are prompted to make changes to the Setup utility
- When redefining the communication ports to prevent any conflicts.
- When changing the password or making other changes to the security setup.



NOTE: Only items in brackets [] can be modified. Items that are not in brackets are display only.

System Setup Options at Boot

<F2>	Initiate Setup during POST
<F9>	Load optimal (e.g. CMOS) defaults
<F10>	Save Settings and exit in BIOS Setup

Console Redirection

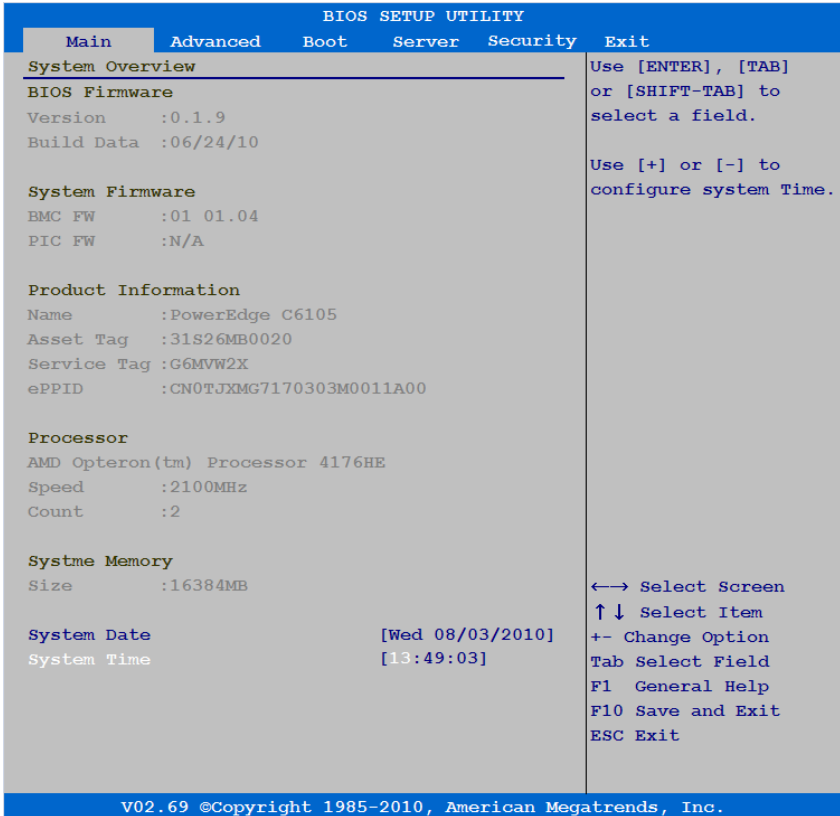
The console redirection allows a remote user to diagnose and fix problems on a server, which has not successfully booted the OS. The centerpiece of the console redirection is the BIOS Console. The BIOS Console is a Flash ROM-resident utility that redirects input and output over a serial or modem connection.

The BIOS supports console redirection to a serial port. If serial port based headless server support is provided by the system, the system must provide support for redirection of all BIOS driven console I/O to the serial port. The driver for the serial console must be capable of supporting the functionality documented in the ANSI Terminal Definition.

Main Menu

The main menu displays information about your system boards and BIOS.

Main Screen





NOTE: The options for the System Setup program change based on the system configuration.



NOTE: The System Setup program defaults are listed under their respective options in the following sections, where applicable.

BIOS Firmware

Option	Description
Version	Displays the BIOS version.
Build Data	Displays the BIOS build date.

System Firmware

Option	Description
BMC FW	Displays the system BMC firmware version.
PIC FW	Displays the system PIC firmware version.

Product Information

Option	Description
Name	Displays the name of the product.
AssetTag	Displays the asset tag of the product.
ServiceTag	Displays the service tag of the product.
ePPID	Displays the eppid of the product.

Processor

Option	Description
Name	Displays the processor name.
Speed	Displays the maximum speed of the processor.
Count	Displays the physical processor count.

System Memory

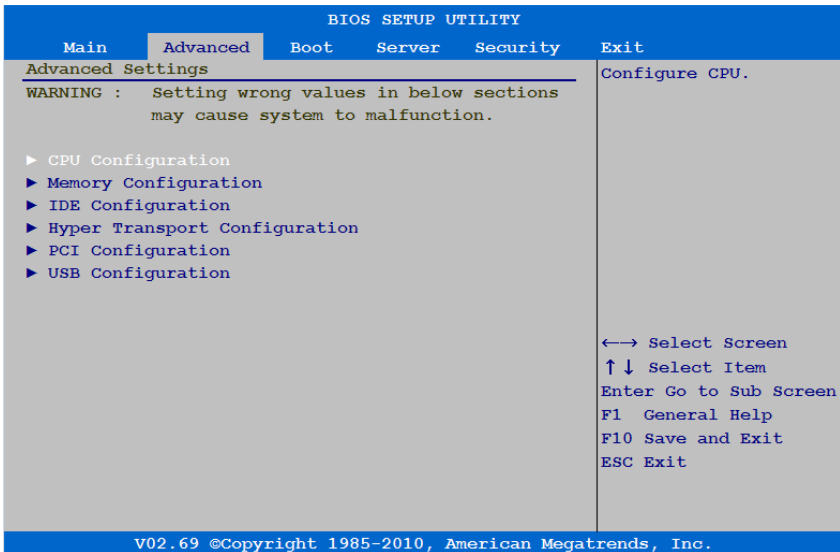
Option	Description
Size	Displays the total system memory size installed on the system board.
System Date	Displays the current date.
System Time	Displays the current time.

Advanced Menu

This option displays a table of items that defines advanced information about your system.



CAUTION: Making incorrect settings to items on these pages may cause the system to malfunction. Unless you have experience adjusting these items, we recommend that you leave these settings at the default values. If making settings to items on these pages causes your system to malfunction or prevents the system from booting, open BIOS and choose Load Optimal Defaults in the Exit menu to boot up normally.

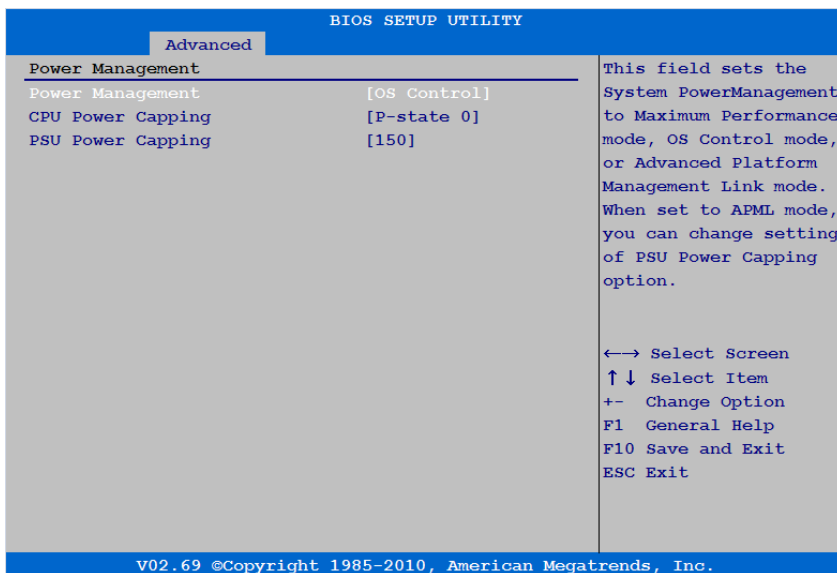


CPU Configuration

Scroll to this item and press **Enter** to view the following screen:

BIOS SETUP UTILITY	
Advanced	
CPU Configuration	Configure Power Management.
Module Version: 5.1104.1	
Socket Count : 2	
Node Count : 2	
Core Count : 12	
<hr/>	
AMD Opteron(tm) Processor 4176HE	
Revision: D1	
Cache L1: 768KB	
Cache L2: 3072KB	
Cache L3: 6MB	
Speed : 2100MHz, NB Clk 2200MHz	
Able to Change Freq. : Yes	
uCode Patch Level : 0x10000C4	
▶ Power Management	←→ Select Screen
GART Error Report [Disabled]	↑↓ Select Item
Secure Virtual Machine [Enabled]	Enter Go to Sub Screen
ACPI SRAT Table [Enabled]	F1 General Help
L3 Power Control [Enabled]	F10 Save and Exit
Prob filter Mode [Auto]	ESC Exit
V02.69 ©Copyright 1985-2010, American Megatrends, Inc.	

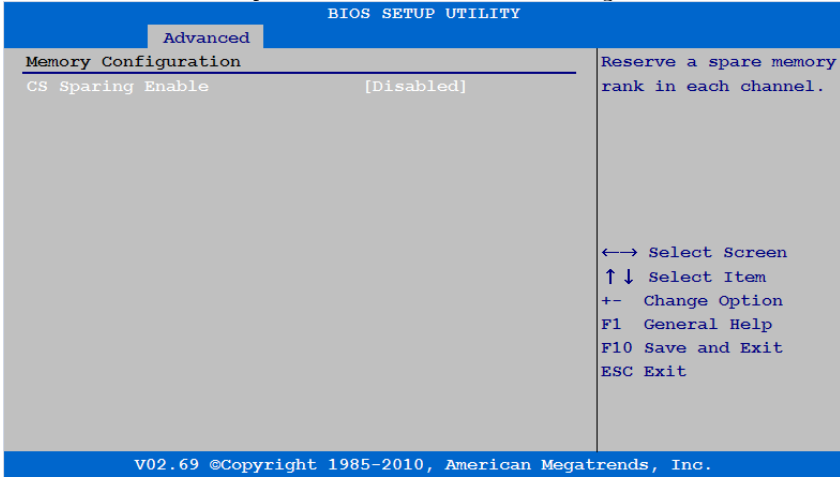
Option	Description
Module Version	Displays the current processor module version.
Socket Count	Displays the processor socket count.
Node Count	Displays the node count.
Core Count	Displays the processor core count.
Revision	Displays the processor version.
Cache L1	Displays the size of CPU L1.
Cache L2	Displays the size of CPU L2.
Cache L3	Displays the size of CPU L3.
Speed	Displays the frequency of CPU.
Able to change Freq.	Displays the capable of frequency change.
uCode Patch Level	Displays the ucode patch level.
Power Management	Configures Power Management.
GART Error Report (Disabled default)	This option should remain disabled for the normal operation. The driver developer may enable it for testing purpose.
Secure Virtual Machine (Enabled default)	Selects this item to enable or disable the function of securing virtual machine mode (SVM).
ACPI SRAT Table (Enabled default)	Selects this item to enable or disable the building of ACPI SRAT table.
L3 Power Control (Enabled default)	Selects Enabled to stop the clock of idle sub-caches in the L3.
Probe Filter Mode (Auto default)	Selects Auto or Disabled to probe filter mode on or off.



Option	Description
Power Management (OS Control default)	This field sets the System Power Management to Maximum Performance mode, OS Control mode, or Advanced Platform Management Link mode. When set to APML mode, you can change setting of PSU Power Capping options.
CPU Power Capping (P-state 0 default)	This option can decide the highest performance P-state in OS. This setting only can be seen when “Power Management” be selected to “OS Control” mode.
PSU Power Capping (150 default)	The setting controls PSU Power, its range limited in 150~2000W. The value will send to BMC by IPMI command and BMC will control PSU power. This setting only can be seen when “Power Management” be selected to “APML” mode and the system board at location 4 in the chassis.

Memory Configuration

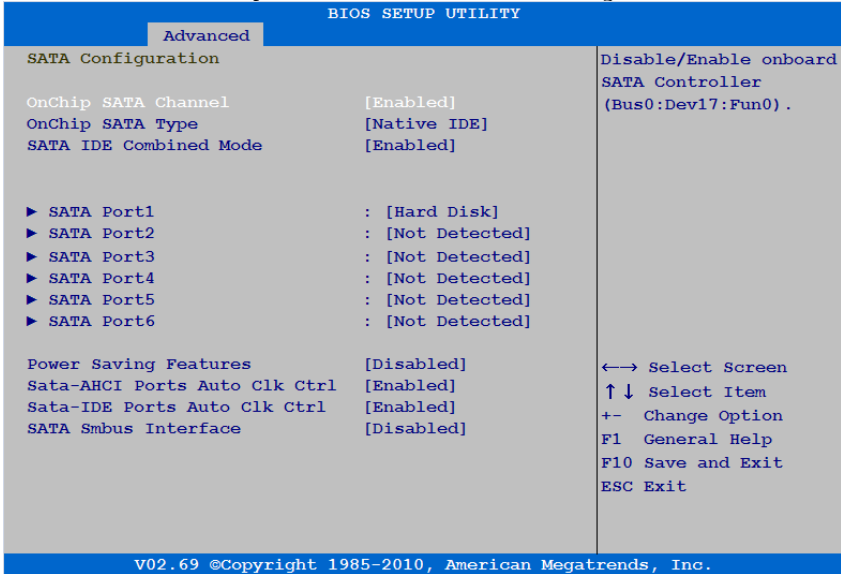
Scroll to this item and press **Enter** to view the following screen:



Option	Description
CS Sparing Enable (Disabled default)	Reserve a spare memory rank in each channel.

SATA Configuration

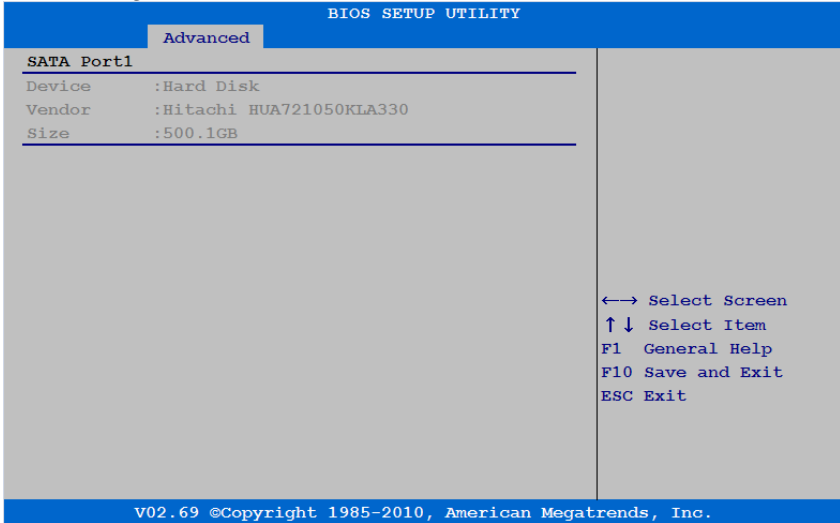
Scroll to this item and press **Enter** to view the following screen:



Option	Description
OnChip SATA Channel (Enabled default)	Selects this item to enable or disable Onboard SATA controller.
OnChip SATA Type (Native IDE default)	Native IDE: Native mode. AMD_AHCI: Use AMD AHCI option ROM. IDE->AMD_AHCI: No AHCI option ROM, use AMD AHCI driver (need load driver when install OS, windows 2008 R2 had native support.)
SATA IDE Combined Mode (Enabled default)	Selects this item to enable or disable SATA IDE combined mode.

Option	Description
SATA Port1~6	While entering Setup, BIOS auto-detects the presence of SATA devices and displays the status of detected SATA HDDs.
Power Saving features (Disabled default)	Selects this item to enable or disable power saving features in SB.
SATA-AHCI Ports Auto Clk Ctrl (Enabled default)	To enable this option will shutdown the clocks for unused SATA ports in AHCI modes. This will enable some power savings. But please note that if you shutdown the clock, then hot-plug for that port will not work.
SATA-IDE Ports Auto Clk Ctrl (Enabled default)	To enable this option will shutdown the clocks for unused SATA ports in IDE modes. It will enable some power savings. But please note that if you shut clock, then hot-plug for that port will not work.
SATA Smbus Interface (Disabled default)	Selects this item to enable or disable SATA SMBUS Interface.

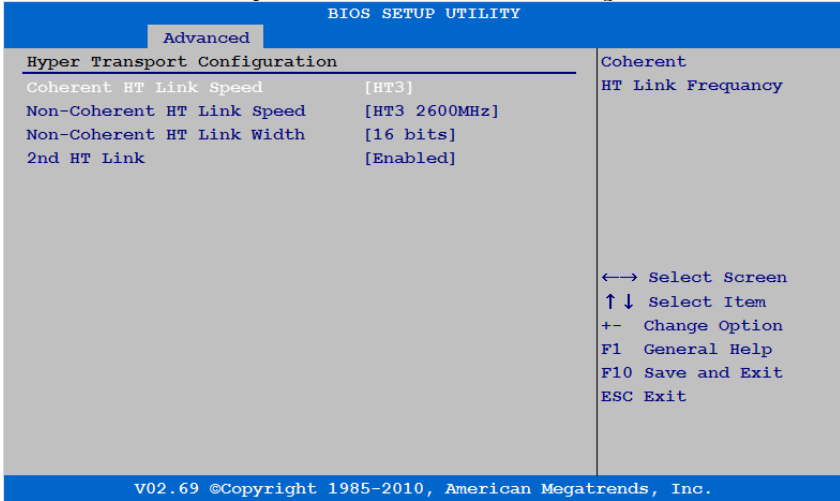
Select SATA Port 1-6 to configure each device on the SATA channel using the following screen:



Option	Description
Device	Displays the type of device assigned to this channel.
Vendor	Displays the manufacture's name of the device.
Size	Displays the size of the device (GB).

Hyper Transport Configuration

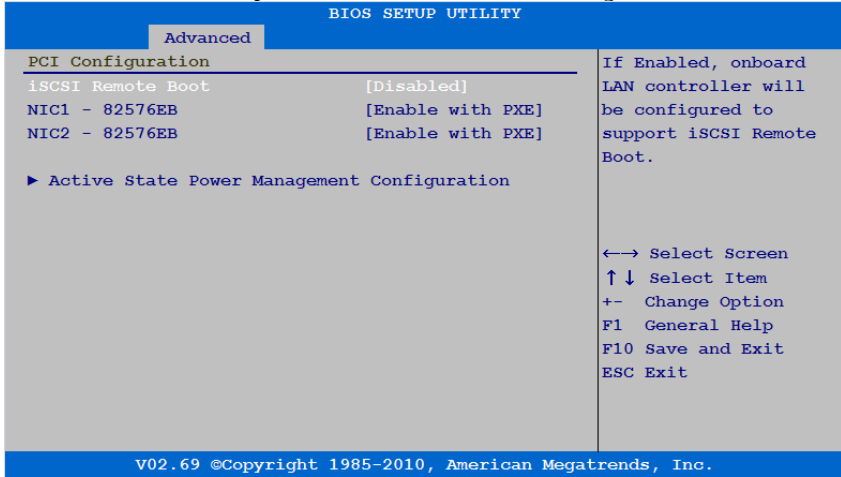
Scroll to this item and press **Enter** to view the following screen:



Option	Description
Coherent HT Link Speed (HT3 default)	Selects coherent HT link frequency.
Non-Coherent HT Link Speed (HT3 2600MHz default)	This option is to set Non-Coherent HT Link frequency and will base on CPU core number to have different selections. For 4 core processor: HT1 800/1000, HT3 1200/1600/2000/2600 For 6 core processor: HT3 1200/1600/2000/2600
Non-Coherent HT Link Width (16bits default)	Selects non-coherent HT link width.
2nd HT Link (Enabled default)	Selects this item to enable or disable the 2nd HT link between socket 0 and socket 1.

PCI Configuration

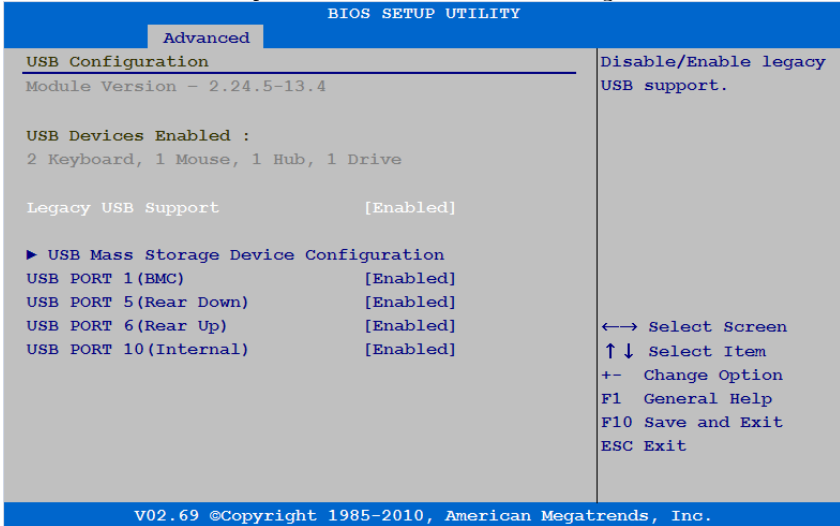
Scroll to this item and press **Enter** to view the following screen:



Option	Description
iSCSI Remote Boot (Disabled default)	If Enabled, onboard LAN controller will be configured to support iSCSI Remote Boot.
NIC1-82576EB (Enable without PXE default)	Selects this item to enable or disable onboard NIC1 controller and PXE support. This item only can be seen if “iSCSI Remote Boot” is Disabled.
NIC2-82576EB (Enable without PXE default)	Selects this item to enable or disable onboard NIC2 controller and PXE support. This item only can be seen if “iSCSI Remote Boot” is Disabled.
Active State Power Management Configuration	To control Active State Power Management (ASPM).

USB Configuration

Scroll to this item and press **Enter** to view the following screen:

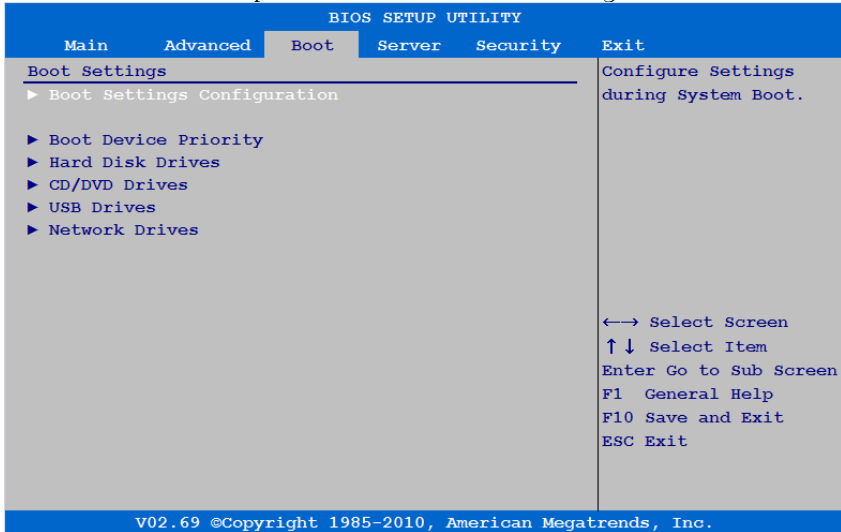


Option	Description
Module Version	Displays the module version.
USB Devices Enabled	Displays USB devices currently detected.
Legacy USB Support (Enabled default)	Selects this item to enable or disable legacy USB support.
USB Port 1 (BMC) (Enabled default)	Selects these items to enable or disable the corresponding USB port.
USB Port 5 (Rear Down) (Enabled default)	Selects these items to enable or disable the corresponding USB port.

Option	Description
USB Port 6 (Rear Up) (Enabled default)	Selects these items to enable or disable the corresponding USB port.
USB Port 10 (Internal) (Enabled default)	Selects these items to enable or disable the corresponding USB port.

Boot Menu

This page enables you to set POST boot parameters. Scroll to this item and press **Enter** to view the following screen:

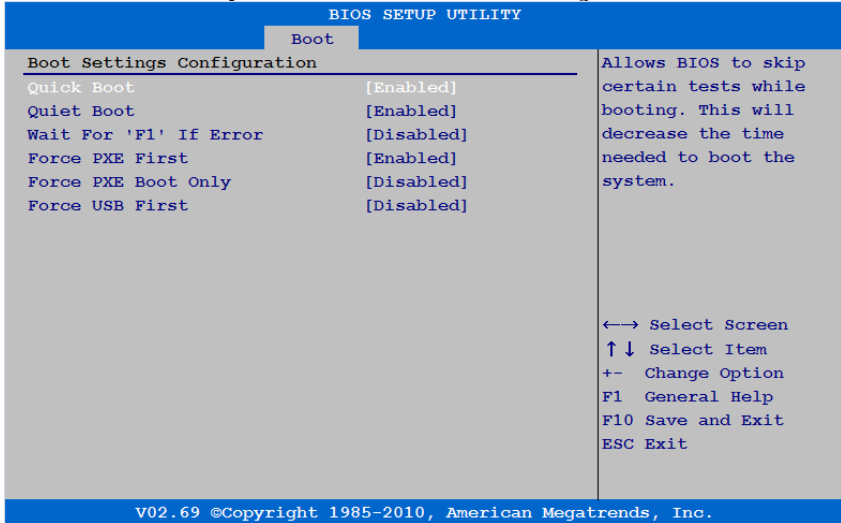


Option	Description
Boot Settings Configuration	Configures the settings during system boots.
Boot Device Priority	Specifies the boot device priority sequence.

Option	Description
Hard Disk Drives	Specifies the boot device priority sequence from the available hard drives. This item only can be seen when system have bootable Hard Disk Drives.
CD/DVD Drives	Specifies the boot device priority sequence from available CD/DVD Drives. This item only can be seen when system have bootable CD/DVD Drives.
USB Drives	Specifies the boot device priority sequence from available USB Drives. This item only can be seen when system have bootable USB Drives.
Network Drives	Specifies the boot device priority sequence from available Network Drives. This item only can be seen when system have bootable Network Drives (PXE).

Boot Settings Configuration

Select this item and press **Enter** to view the following submenu items:



Option	Description
Quick Boot (Enabled default)	Allow BIOS to skip certain tests while booting, which will decrease the time needed to boot the system.
Quiet Boot (Enabled default)	Disabled: displays normal POST messages. Enabled: displays OEM logo instead of POST messages.
Wait For 'F1' if Error (Disabled default)	Wait for F1 key to be pressed if error occurs.
Force PXE First (Enabled default)	Enables or disables PXE to be the first boot device. It will take effect on the next boot.
Force PXE Boot Only (Disabled default)	Enables or disables PXE to be the Only boot device.

Option	Description
Force USB First (Disabled default)	Enable or disable USB to be the first boot device, the priority is higher than PXE. It will take effect on the next boot.

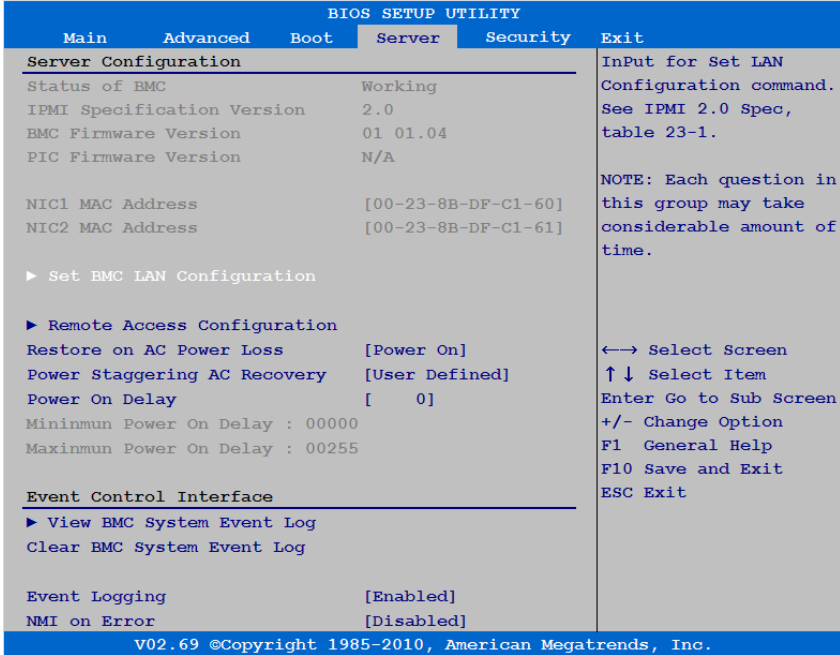
Boot Device Priority

Select this item and press **Enter** to view the following submenu items:

The screenshot shows the BIOS Setup Utility interface. At the top, it says "BIOS SETUP UTILITY" and "Boot". The "Boot Device Priority" submenu is displayed, listing "1st Boot Device" as "[SATA:P1-ST380815AS]" and "2nd Boot Device" as "[Network:IBA GE SLO]". To the right of the submenu, there is a description: "Specifies the boot sequence from the available devices. A device enclosed in parenthesis has been disabled in the corresponding type menu." Below the description, there are navigation instructions: "←→ Select Screen", "↑↓ Select Item", "+- Change Option", "F1 General Help", "F10 Save and Exit", and "ESC Exit". At the bottom of the screen, it says "V02.69 ©Copyright 1985-2010, American Megatrends, Inc."

Server Menu

This page enables you to configure Server parameters. Scroll to this item and press **Enter** to view the following screen:



Option	Description
Status of BMC	Displays the BMC status.
IPMI Specification Version	Displays the IPMI specification version.
BMC Firmware Version	Displays the BMC firmware version.
PIC Firmware Version	Displays the PIC firmware version.
NIC1 MAC Address	Displays the NIC1 MAC address.
NIC2 MAC Address	Displays the NIC2 MAC address.

Option	Description
Set BMC LAN Configuration	Inputs for Set LAN Configuration command. Each item in this group may take considerable amount of time.
Remote Access Configuration	Configures Remote Access.
Restore on AC Power Loss (Power Off default)	System action to take on AC power loss recovery.
Power Staggering AC Recovery (Immediate default)	Configures power recovery behavior. This item only can be seen when “Remote on AC Power Loss” be selected in “Power On” or “Last State”.
Power On Delay (user defined)	Configures time for power on delay, the setting range of delay time is 0~255sec.
View BMC System Event Log	View all events in the BMC Event Log. It will take a max. of 15 seconds to read all BMC SEL records.
Clear BMC System Event Log	Clears all events in the BMC Event Log.
Event Logging (Enabled default)	Enables or disables BIOS to log system events to BMC, errors include ECC/PCI/PCI-E/HT...etc.
NMI on Error (Disabled default)	Enables or disables BIOS to generate NMI when uncorrectable errors occur.

LAN Configuration

Select Set BMC LAN Configuration to view the following submenu:

BIOS SETUP UTILITY					
Main	Advanced	Boot	Server	Security	Exit
LAN Configuration					Set BMC LAN Port to Dedicated-NIC or Shared-NIC. ←→ Select Screen ↑↓ Select Item +/- Change Option F1 General Help F10 Save and Exit ESC Exit
Channel Number			[01]		
Channel Number Status:			Channel number is OK		
BMC LAN Port Configuration			[Shared-NIC]		
DHCP Enabled			[Enabled]		
IP Address			[192.168.001.002]		
Subnet Mask			[255.255.255.000]		
GateWay Address			[192.168.001.001]		
Current Mac address in BMC:			CB.0A.A9.9D.FE.8F		
V02.69 ©Copyright 1985-2010, American Megatrends, Inc.					

Option	Description
Channel Number	Displays the channel number.
Channel Number Status	Displays the channel number status.
BMC LAN Port Configuration (Shared-NIC default)	Sets BMC LAN Port to dedicated-NIC or shared-NIC.
DHCP Enabled (Enabled default)	Enables or disables BMC LAN to get LAN IP from DHCP.
IP Address (Input by user)	Uses this screen to input IP address.
Subnet Mask (Input by user)	Uses this screen to input subnet mask address.

Option	Description
Gateway Address (Input by user)	Uses this screen to input Gateway address.
Current Mac address in BMC	Displays the current Mac address in BMC.

Remote Access Configuration

Select Remote Access Configuration to view the following submenu:

BIOS SETUP UTILITY					
Main	Advanced	Boot	Server	Security	Exit
Configure Remote Access Type and parameters					Enable EMS support.
EMS support (SPCR)			[Disable]		Include ACPI SPCR table pointer to RSDT pointer list.
Remote Access			[Enabled]		
Serial port number			[COM2]		
Base Address, IRQ			[2F8h, 3]		
Current SOL Baud Rate :			115200 bps		
Serial Port Mode			[115200 8,n,1]		
Flow Control			[None]		
Redirection After BIOS POST			[Always]		
Terminal Type			[ANSI]		
VT-UTF8 Combo Key Support			[Enabled]		
					←→ Select Screen
					↑↓ Select Item
					+ - Change Option
					F1 General Help
					F10 Save and Exit
					ESC Exit
V02.69 ©Copyright 1985-2010, American Megatrends, Inc.					

Option	Description
EMS support (SPCR) (Disabled default)	Enables or disables EMS support, including ACPI SPCR table pointer to RSDT pointer list.
Remote Access (Enabled default)	Enables or disables remote access support.

Option	Description
Serial Port Number (COM2 default)	Selects serial port for console redirection.
Serial Port Mode (115200 8,n,1 default)	Selects serial port settings.
Flow Control (None default)	Selects flow control for console redirection.
Redirection After BIOS POST (Always default)	Disabled: turn offs the redirection after POST. Always: Redirection is always active. (Some Oss may not work if set to Always.)
Terminal Type (ANSI default)	Selects the target terminal type.
VT-UTF8 Combo Key Support (Enabled default)	Enables or disables VT-UTF8 combination key support for ANSI/VT100 terminals.

View BMC System Event Log

Select this item to view the following submenu:

```

BIOS SETUP UTILITY
  Server
-----
Total Number Of Entries:      60
SEL Entry Number              [1]
SEL Record ID:                0001
SEL Record Type               02 (System Event)
Event Timestamp:              12s from SEL init
Generator ID:                 0020
Event Message Format Ver:     04 (IPMI ver 2.0)
Event Sensor Type:           02 (Voltage)
Event Sensor Number:         12
Event Dir Type:               01
Event Data:                   57 C3 1D
- Upper Non-critical - going high
- N/A
- N/A

Use +/- to traverse the event log.

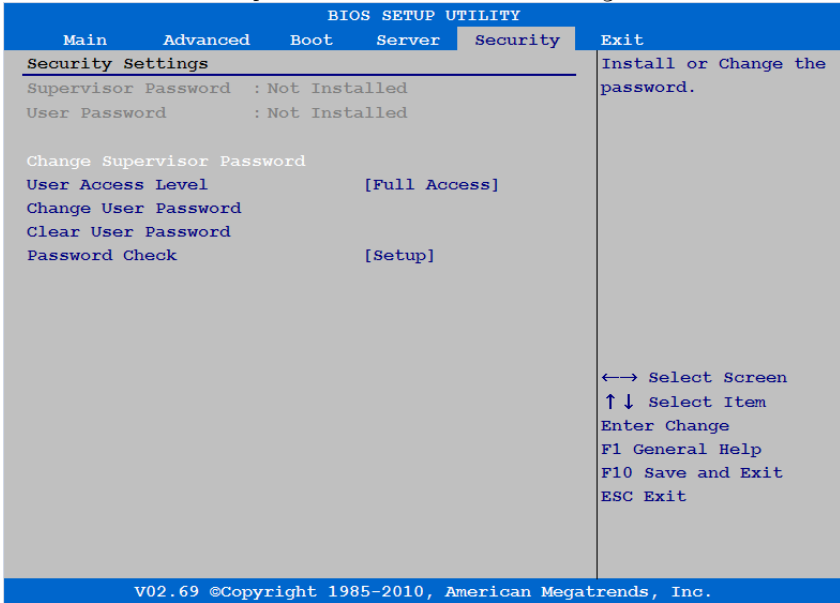
<--> Select Screen
↑↓ Select Item
+- Change Option
F1 General Help
F10 Save and Exit
ESC Exit

V02.69 ©Copyright 1985-2010, American Megatrends, Inc.

```

Security Menu

This page enables you to set the security parameters. Scroll to this item and press **Enter** to view the following screen:

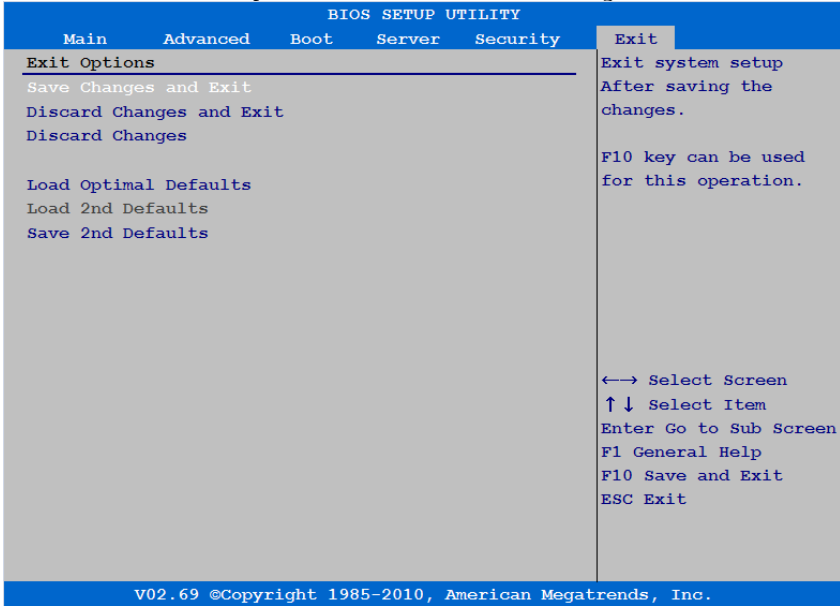


Option	Description
Supervisor Password	Displays whether the supervisor password is installed or not.
User Password	Displays whether the user password is installed or not.
Change Supervisor Password	Installs or changes the password.

Option	Description
User Access Level (Full Access default)	Limited: allows only limited fields to be changed such as Date and Time. No Access: prevents User access to the Setup Utility. View Only: allows access to the Setup Utility but the fields cannot be changed. This item only can be seen when the Supervisor password is installed.
Change User Password	Installs or changes the password.
Clear User Password	Immediately clears the User password. This item only can be seen when the user password is installed.
Password Check (Setup default)	Setup: Check password while invoking setup. Always: Check password while invoking setup as well as on each boot. This item only can be seen when the supervisor or the user password is installed.

Exit Menu

Scroll to this item and press **Enter** to view the following screen:



Option	Description
Save Changes and Exit	Exit system setup after saving the changes. F10 key can be used for this operation.
Discard Changes and Exit	Exit system setup without saving any changes. ESC key can be used for this operation.
Discard Changes	Discards changes done so far to any of the setup questions. F7 key can be used for this operation.
Load Optimal Defaults	Load optimal default values for all the setup questions. F9 key can be used for this operation.

Option	Description
Load 2nd Defaults	Load second default values for all the setup questions. This item only selectable if 2nd Defaults was saved before. The first time to save 2nd Default in setup, the item will not be displayed immediately, only available from the next boot.
Save 2nd Defaults	Save all setup questions' current value as second default.

Installing System Components

Safety Instructions



WARNING: Working on systems that are still connected to a power supply can be extremely dangerous.



CAUTION: System components and electronic circuit boards can be damaged by discharge of static electricity.



CAUTION: Many repairs may only be done by a certified service technician. You should only perform troubleshooting and simple repairs as authorized in your product documentation, or as directed by the online or telephone service and support team. Damage due to servicing that is not authorized by Dell is not covered by your warranty. Read and follow the safety instructions that came with the product.

To avoid injury to yourself or damage to your system, follow these guidelines:

- Always disconnect the system from the power outlet whenever you are working inside the system.
- If possible, wear a grounded wrist strap when you are working inside the system. Alternatively, discharge any static electricity by touching the bare metal chassis of the system case, or the bare metal body of any other grounded appliance.
- Hold electronic circuit boards by the edges only. Do not touch the components on the board unless it is necessary to do so. Do not flex or stress the circuit board.
- Leave all components inside the static-proof packaging until you are ready to use the component for the installation.

Recommended Tools

- Phillips screwdriver
- Flat-tipped screwdriver
- Set of jewelers screwdrivers

Inside the System



CAUTION: Many repairs may only be done by a certified service technician. You should only perform troubleshooting and simple repairs as authorized in your product documentation, or as directed by the online or telephone service and support team. Damage due to servicing that is not authorized by Dell is not covered by your warranty. Read and follow the safety instructions that came with the product.

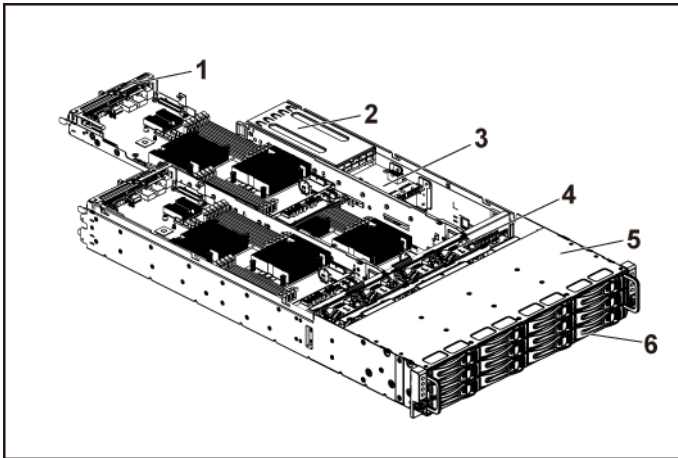


CAUTION: This system must be operated with the system cover installed to ensure proper cooling.



NOTE: The illustration in this section shows a system with 3.5-inch hard drives.

Figure 3-1. Inside the System



- | | | | |
|---|------------------------------|---|------------------|
| 1 | system board assembly (4) | 2 | power supply (2) |
| 3 | power distribution board (2) | 4 | cooling fan (4) |
| 5 | hard-drive bay | 6 | hard drive (12) |

Hard Drives

The installation and removal procedures for the 3.5-inch hard drive and the 2.5-inch hard drive are similar. Following is an example showing the replacement procedure of a 3.5-inch hard drive.

Removing a Hard-Drive Blank



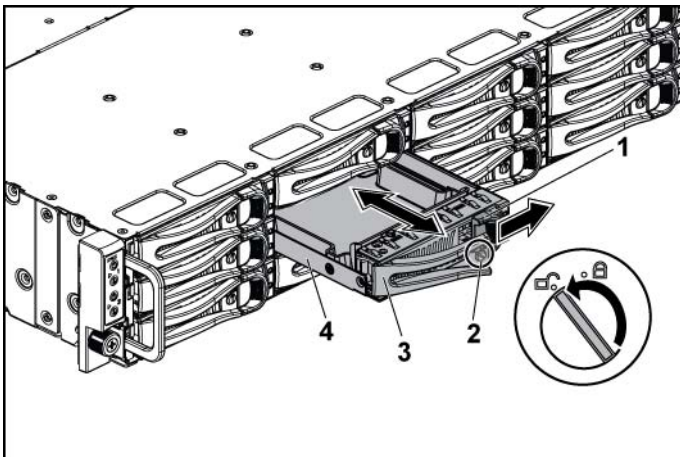
CAUTION: To maintain proper system cooling, all empty hard-drive bays must have drive blanks installed.



NOTE: This section is applicable to systems with hot-swappable hard drives only.

- 1 Turn the lock lever counterclockwise until it points to the unlock symbol.
- 2 Slide the release button to open the release handle. See Figure 3-2.
- 3 Using the release handle, pull the hard-drive blank out of the hard-drive bay.

Figure 3-2. Removing or Installing a Hard-Drive Blank



- | | | | |
|---|----------------|---|------------------|
| 1 | release button | 2 | lock lever |
| 3 | release handle | 4 | hard-drive blank |

Installing a Hard-Drive Blank

- 1 With the lever on the hard-drive blank open, slide the hard-drive blank into the drive bay until the hard-drive blank makes contact with the backplane. See Figure 3-2.
- 2 Close the release handle to lock the hard drive blank in place.
- 3 Turn the lock lever clockwise to the lock symbol. See Figure 3-2.

Removing a Hard-Drive Carrier



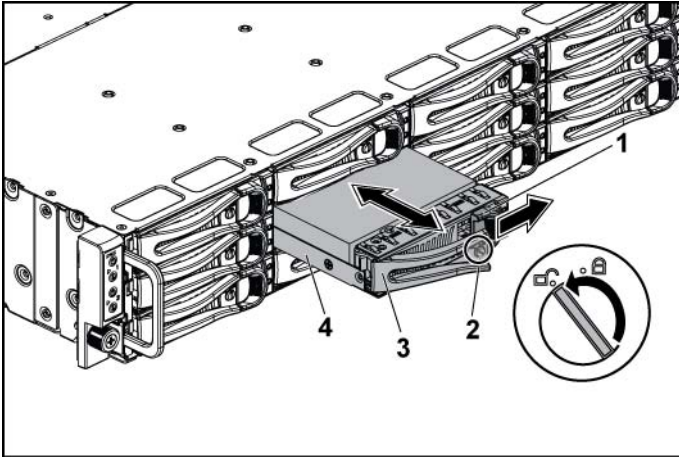
CAUTION: Many repairs may only be done by a certified service technician. You should only perform troubleshooting and simple repairs as authorized in your product documentation, or as directed by the online or telephone service and support team. Damage due to servicing that is not authorized by Dell is not covered by your warranty. Read and follow the safety instructions that came with the product.

- 1 Turn the lock lever counterclockwise until it points to the unlock symbol.
- 2 Slide the release button to open the release handle. See Figure 3-3.
- 3 Using the release handle, pull the hard-drive carrier out of the hard-drive bay.



CAUTION: To maintain proper system cooling, all empty hard-drive bays must have drive blanks installed.

Figure 3-3. Removing and Installing a Hard-Drive Carrier



- | | | | |
|---|----------------|---|--------------------|
| 1 | release button | 2 | lock lever |
| 3 | release handle | 4 | hard-drive carrier |

Installing a Hard-Drive Carrier



CAUTION: Many repairs may only be done by a certified service technician. You should only perform troubleshooting and simple repairs as authorized in your product documentation, or as directed by the online or telephone service and support team. Damage due to servicing that is not authorized by Dell is not covered by your warranty. Read and follow the safety instructions that came with the product.

- 1 With the lever on the hard-drive carrier open, slide the hard-drive carrier into the drive bay until the hard carrier makes contact with the backplane. See Figure 3-3.
- 2 Close the release handle to lock the hard drive in place.
- 3 Turn the lock lever clockwise to the lock symbol. See Figure 3-3.

Removing a Hard Drive From a Hard-Drive Carrier



CAUTION: Many repairs may only be done by a certified service technician. You should only perform troubleshooting and simple repairs as authorized in your product documentation, or as directed by the online or telephone service and support team. Damage due to servicing that is not authorized by Dell is not covered by your warranty. Read and follow the safety instructions that came with the product.



CAUTION: Combining SATA and SAS hard drives in the same system configuration is not supported.



CAUTION: Use only hard drives that have been tested and approved for use with the SAS/SATA backplane.



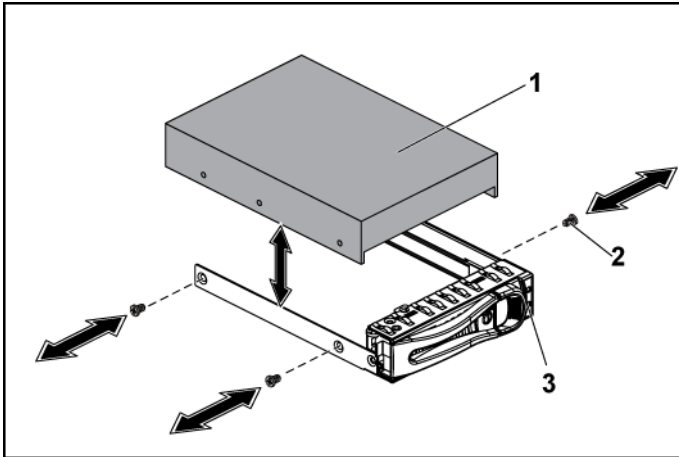
CAUTION: When installing a hard-drive carrier, ensure that the adjacent drives are fully installed. Inserting a hard-drive carrier and attempting to lock its handle next to a partially installed carrier can damage the partially installed carrier's shield spring and make it unusable.



CAUTION: To prevent data loss, ensure that your operating system supports hot-swappable drive installation. See the documentation supplied with the operating system.

- 1 Remove the four screws. See Figure 3-4.
- 2 Lift the hard drive out of the hard-drive carrier.

Figure 3-4. Removing and Installing a Hard Drive from the Hard-Drive Carrier



- 1 hard drive
- 2 screw (4)
- 3 hard-drive carrier

Installing a Hard Drive into a Hard-Drive Carrier



CAUTION: Many repairs may only be done by a certified service technician. You should only perform troubleshooting and simple repairs as authorized in your product documentation, or as directed by the online or telephone service and support team. Damage due to servicing that is not authorized by Dell is not covered by your warranty. Read and follow the safety instructions that came with the product.

- 1 Place the hard drive into the hard-drive carrier. See Figure 3-4.
- 2 Secure the hard drive to the hard-drive carrier with four screws. See Figure 3-4.

Power Supplies



NOTE: The following table lists the maximum supported configuration where power supply redundancy is guaranteed.



NOTE: Configurations higher than indicated in the table may change the power supply mode to non-redundant. In non-redundant mode if the power requirement exceeds the installed system power capacity, the BIOS will throttle the CPUs. Also, if CPU Power Capping is enabled, then CPU throttling occurs on configurations that exceed the cap value.

Table 3-1. PSU and System Board Support Matrix

PSU	Two System Boards	Four System Boards
1400W	Full configuration*	Up to two 95W processors / MLB, two hard drives / MLB, and four memory modules / MLB
1100W	Full configuration*	Up to two 65W processors / MLB, one hard drives / MLB, and six memory modules / MLB
750W	Up to two 95W processors / MLB, two hard drives / MLB, and four memory modules / MLB	N/A
470W	Up to two 35W processors / MLB, up to one hard drives / MLB, and three memory modules / MLB	N/A

Recommended Configuration

Memory - 4G, 1333, 2Rx4X72, 8, 240

HDD - 600G, SAS6, 15K, 3.5, SGT

Full Configuration

This includes full quantity of processors (95W), memory (4G, 1333, 2R) and HDD (600G, SAS6, 15K, 3.5).

Removing a Power Supply



CAUTION: Many repairs may only be done by a certified service technician. You should only perform troubleshooting and simple repairs as authorized in your product documentation, or as directed by the online or telephone service and support team. Damage due to servicing that is not authorized by Dell is not covered by your warranty. Read and follow the safety instructions that came with the product.



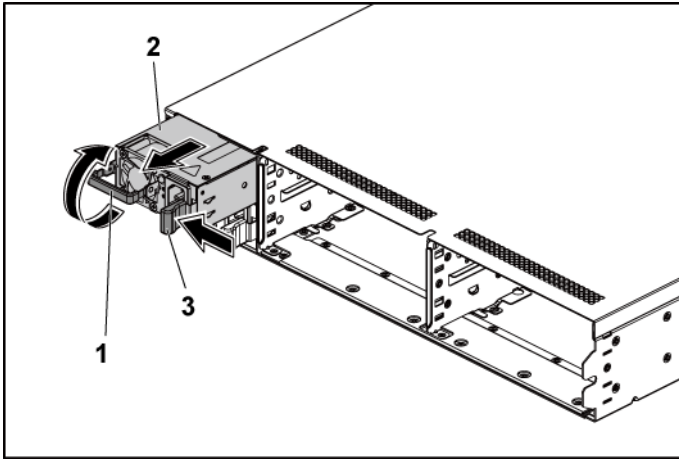
CAUTION: The System requires one power supply to operate normally.

- 1 Turn off the system, including any attached peripherals, and disconnect the system from the electrical outlet.
- 2 Disconnect the power cable from the power source and the power supply.
- 3 Press the release lever and using the handle, slide the power supply out of the system. See Figure 3-5.



NOTE: Removing the power supply may require considerable force.

Figure 3-5. Removing and Installing a Power Supply



- | | | | |
|---|---------------|---|--------------|
| 1 | handle | 2 | power supply |
| 3 | release lever | | |

Installing a Power Supply



CAUTION: Many repairs may only be done by a certified service technician. You should only perform troubleshooting and simple repairs as authorized in your product documentation, or as directed by the online or telephone service and support team. Damage due to servicing that is not authorized by Dell is not covered by your warranty. Read and follow the safety instructions that came with the product.



CAUTION: The System requires one power supply to operate normally.

- 1 Verify that both power supplies are of the same type and have the same maximum output power.



NOTE: The maximum output power is printed on the power supply label.

- 2 Slide the new power supply into the chassis until the power supply is fully seated and the release lever snaps into place. See Figure 3-5.
- 3 Connect the power cable to the power supply and plug the cable into a

power outlet.



NOTE: When installing a new power supply in a system with two power supplies, allow several seconds for the system to recognize the power supply and determine its status.

System-Board Assembly

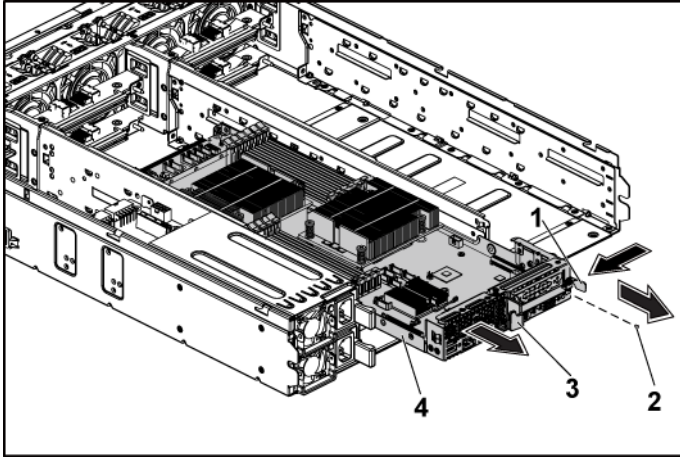
Removing a System-Board Assembly



CAUTION: Many repairs may only be done by a certified service technician. You should only perform troubleshooting and simple repairs as authorized in your product documentation, or as directed by the online or telephone service and support team. Damage due to servicing that is not authorized by Dell is not covered by your warranty. Read and follow the safety instructions that came with the product.

- 1 Turn off the system, including any attached peripherals, and disconnect the system from its electrical outlet.
- 2 Disconnect all the external cables from the system board.
- 3 Remove the screw that secures the retaining latch. See Figure 3-6.
- 4 Press the retaining latch and using the handle, slide the system-board assembly out of the chassis. See Figure 3-6.

Figure 3-6. Removing and Installing a System-Board Assembly



- | | | | |
|---|-----------------|---|-----------------------|
| 1 | retaining latch | 2 | screw |
| 3 | handle | 4 | System-board assembly |

Installing a System-Board Assembly



CAUTION: Many repairs may only be done by a certified service technician. You should only perform troubleshooting and simple repairs as authorized in your product documentation, or as directed by the online or telephone service and support team. Damage due to servicing that is not authorized by Dell is not covered by your warranty. Read and follow the safety instructions that came with the product.

- 1 Slide the system-board assembly into the chassis until it snaps into place. See Figure 3-6.
- 2 Reconnect all the external cables to the system board.
- 3 Replace the screw that secures the retaining latch. See Figure 3-6.
- 4 Reconnect the system to its electrical outlet and turn on the system, including any attached peripherals.

Heat Sinks

Removing the Heat Sink



CAUTION: Many repairs may only be done by a certified service technician. You should only perform troubleshooting and simple repairs as authorized in your product documentation, or as directed by the online or telephone service and support team. Damage due to servicing that is not authorized by Dell is not covered by your warranty. Read and follow the safety instructions that came with the product.

- 1 Turn off the system, including any attached peripherals, and disconnect the system from its electrical outlet.
- 2 Remove the system-board assembly. See “Removing a System-Board Assembly” on page 68.



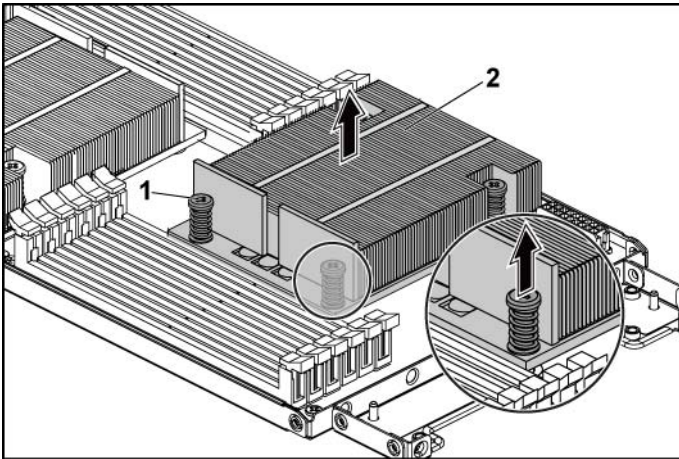
WARNING: The heat sink may be hot to touch for some time after the system has been powered down. Allow the heat sink to cool before removing it.



CAUTION: Never remove the heat sink from a processor unless you intend to remove the processor. The heat sink is necessary to maintain proper thermal conditions.

- 3 Using a Phillips screwdriver, loosen one of the heat-sink retention screws. See Figure 3-7.
Wait for 30 seconds for the heat sink to loosen from the processor.
- 4 Remove the other three heat-sink retention screws.
- 5 Gently lift the heat sink off the processor and set the heat sink aside with thermal grease side facing up.

Figure 3-7. Removing and Installing the Heat Sink



1 screw (4)

2 heat sink

Installing the Heat Sink



CAUTION: Many repairs may only be done by a certified service technician. You should only perform troubleshooting and simple repairs as authorized in your product documentation, or as directed by the online or telephone service and support team. Damage due to servicing that is not authorized by Dell is not covered by your warranty. Read and follow the safety instructions that came with the product.

- 1 Using a clean lint-free cloth, remove the thermal grease from the heat sink.
- 2 Apply new thermal grease evenly to the center of the top of the new processor.




CAUTION: Using excess thermal grease can cause grease to contact the processor shield, which can cause contamination of the processor socket.

- 3 Place the heat sink on the processor. See Figure 3-7.
- 4 Using a Phillips screwdriver, tighten the four heat-sink retention screws.

- 5 Replace the system-board assembly. See "Installing a System-Board Assembly" on page 69.
- 6 Reconnect the system to its electrical outlet and turn on the system, including any attached peripherals.

Processors

Removing a Processor

 **CAUTION:** Many repairs may only be done by a certified service technician. You should only perform troubleshooting and simple repairs as authorized in your product documentation, or as directed by the online or telephone service and support team. Damage due to servicing that is not authorized by Dell is not covered by your warranty. Read and follow the safety instructions that came with the product.

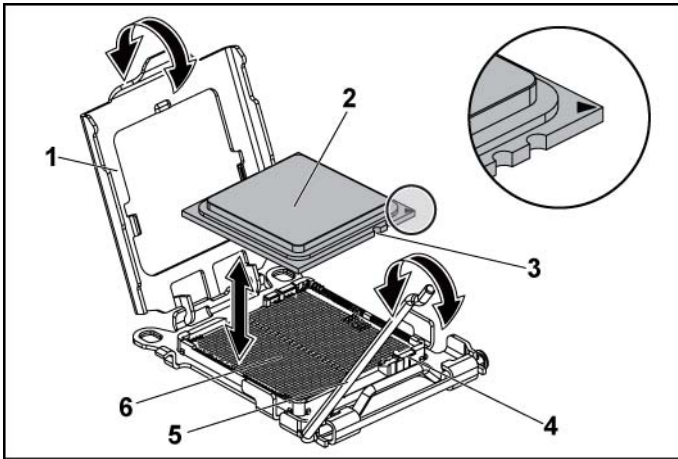
- 1 Turn off the system, including any attached peripherals, and disconnect the system from its electrical outlet.
- 2 Remove the system-board assembly. See "Removing a System-Board Assembly" on page 68.
- 3 Remove the heat sink, see "Removing the Heat Sink" on page 70.

 **CAUTION:** The processor is held in its socket under strong pressure. Be aware that the release lever can spring up suddenly if not firmly grasped.

- 4 Position your thumb firmly over the processor socket-release lever and release the lever from the locked position. Rotate the lever 90 degrees upward until the processor is released from the socket. See Figure 3-8.
- 5 Rotate the processor shield upward and out of the way. See Figure 3-8.
- 6 Lift the processor out of the socket and leave the socket-release lever up so that the socket is ready for the new processor.

 **CAUTION:** Be careful not to bend any of the pins on the ZIF socket when removing the processor. Bending the pins can permanently damage the system board.

Figure 3-8. Removing and Installing a Processor



- | | | | |
|---|------------------------|---|----------------|
| 1 | processor shield | 2 | processor |
| 3 | notch in processor (2) | 4 | socket key (2) |
| 5 | socket-release lever | 6 | ZIF socket |

Installing a Processor



CAUTION: Many repairs may only be done by a certified service technician. You should only perform troubleshooting and simple repairs as authorized in your product documentation, or as directed by the online or telephone service and support team. Damage due to servicing that is not authorized by Dell is not covered by your warranty. Read and follow the safety instructions that came with the product.



NOTE: When installing only one processor, the processor must be installed in the processor0 (for the socket location, see “System Board Connectors” on page 147).




NOTE: If you are upgrading your processors, prior to upgrading your system, download and install the latest system BIOS version from support.dell.com. Follow the instructions included in the file download to install the update on your system.


- 1 Unpack the processor if it has not been used previously.
If the processor has already been used, remove any thermal grease from the top of the processor using a lint-free cloth.
- 2 Align the processor with the socket keys on the ZIF socket. See Figure 3-8.

 **CAUTION: Positioning the processor incorrectly can permanently damage the system board or the processor. Be careful not to bend the pins in the ZIF socket.**

- 3 With the release lever on the processor socket in the open position, align the processor with the socket keys and set the processor lightly in the socket. See Figure 3-8.

 **CAUTION: Do not use force to seat the processor. When the processor is positioned correctly, it engages easily into the socket.**

- 4 Close the processor shield.
- 5 Rotate the socket release lever down until it snaps into place.
- 6 Using a clean lint-free cloth, remove the thermal grease from the heat sink.
- 7 Apply thermal grease evenly to the center of the top of the new processor.

 **CAUTION: Using excess thermal grease can cause grease to contact the processor shield, which can cause contamination of the processor socket.**

- 8 Place the heat sink on the processor. See Figure 3-7.
- 9 Using a Phillips screwdriver, tighten the heat-sink retention screws. See Figure 3-7.
- 10 Replace the system-board assembly. See "Installing a System-Board Assembly" on page 69.
- 11 Reconnect the system to its electrical outlet and turn on the system, including any attached peripherals.
- 12 Press <F2> to enter the System Setup program, and check that the processor information matches the new system configuration. See "System Setup Options at Boot" on page 31.

Expansion-Card Assembly and Expansion Card

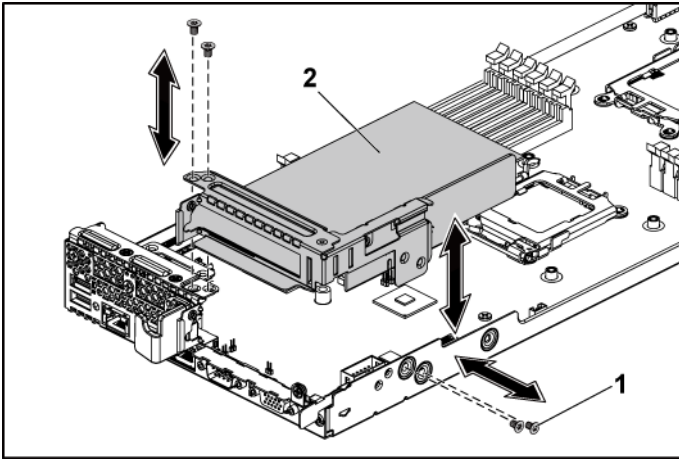
Removing the Expansion Card



CAUTION: Many repairs may only be done by a certified service technician. You should only perform troubleshooting and simple repairs as authorized in your product documentation, or as directed by the online or telephone service and support team. Damage due to servicing that is not authorized by Dell is not covered by your warranty. Read and follow the safety instructions that came with the product.

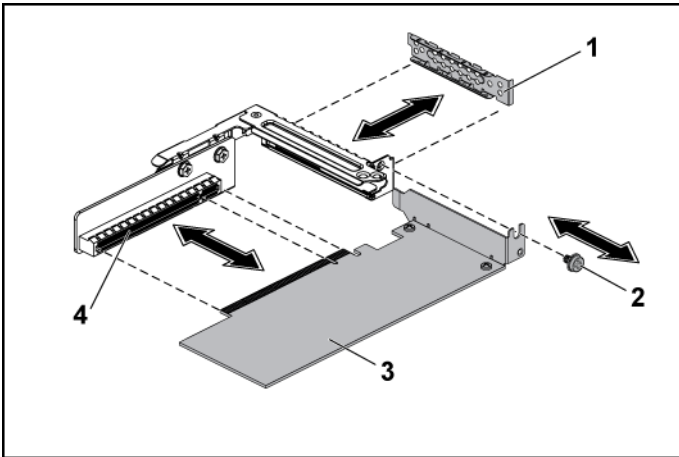
- 1 Turn off the system, including any attached peripherals, and disconnect the system from its electrical outlet.
- 2 Remove the system-board assembly. See "Removing a System-Board Assembly" on page 68.
- 3 Remove the four screws that secure the expansion-card assembly. See Figure 3-9.
- 4 Lift the expansion-card assembly out of the system-board assembly. See Figure 3-9.

Figure 3-9. Removing the Expansion-Card Assembly



- 1 screw (4)
- 2 expansion-card assembly
- 5 Remove the screw securing the expansion card.

Figure 3-10. Removing the Expansion Card



- 1 expansion-card slot cover
- 2 screw
- 3 expansion card
- 4 expansion-card connector

- 6 Grasp the expansion card by its edges, and carefully remove it from the expansion-card connector.
- 7 If you are removing the card permanently, install a metal filler bracket over the empty expansion slot opening, and close the expansion-card latch.



NOTE: You must install a filler bracket over an empty expansion slot to maintain Federal Communications Commission (FCC) certification of the system. The brackets also keep dust and dirt out of the system and aid in proper cooling and airflow inside the system.

Installing the Expansion Card



CAUTION: Many repairs may only be done by a certified service technician. You should only perform troubleshooting and simple repairs as authorized in your product documentation, or as directed by the online or telephone service and support team. Damage due to servicing that is not authorized by Dell is not covered by your warranty. Read and follow the safety instructions that came with the product.



CAUTION: Expansion cards can only be installed in the slots on the expansion-card riser. Do not attempt to install expansion cards directly into the riser connector on the system board.

- 1 Unpack the expansion card and prepare it for installation. For instructions, see the documentation accompanying the card.
- 2 Turn off the system, including any attached peripherals, and disconnect the system from its electrical outlet.
- 3 Remove the system-board assembly. See "Removing a System-Board Assembly" on page 68.
- 4 Remove the four screws that secure the expansion-card assembly.
- 5 Lift the expansion-card assembly away from the system-board assembly.
- 6 Remove the screw securing the filler bracket.

- 7 Grasp the filler bracket by its edges, and carefully remove it from the expansion-card connector.



NOTE: Keep this bracket in case you need to remove the expansion card. Filler brackets must be installed over empty expansion-cards slots to maintain FCC certification of the system. The brackets also keep dust and dirt out of the system and aid in proper cooling and airflow inside the system.

- 8 Holding the card by its edges, position the card so that the card-edge connector aligns with the expansion-card connector on the expansion-card assembly.
- 9 Insert the card-edge connector firmly into the expansion-card connector until the card is fully seated.
- 10 Replace the screw securing the expansion card.
- 11 Place the expansion-card assembly into the system-board assembly.
- 12 Replace the four screws that secure the expansion-card assembly.
- 13 Replace the system-board assembly. See "Installing a System-Board Assembly" on page 69.
- 14 Reconnect the system to its electrical outlet and turn on the system, including any attached peripherals.

Expansion-Card Connector

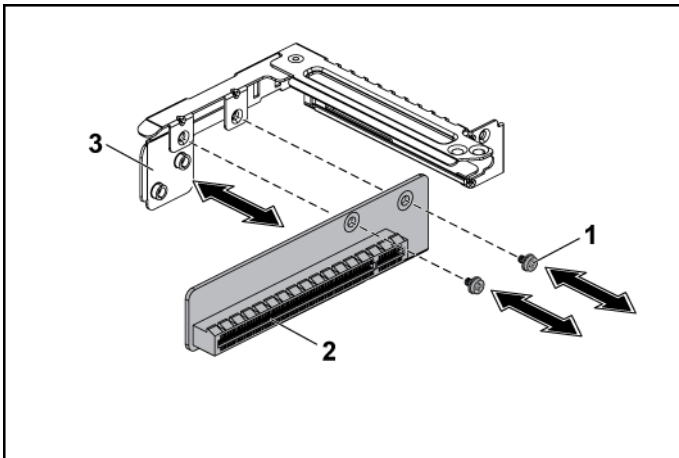
Removing the Expansion-Card Connector



CAUTION: Many repairs may only be done by a certified service technician. You should only perform troubleshooting and simple repairs as authorized in your product documentation, or as directed by the online or telephone service and support team. Damage due to servicing that is not authorized by Dell is not covered by your warranty. Read and follow the safety instructions that came with the product.

- 1 Turn off the system, including any attached peripherals, and disconnect the system from its electrical outlet.
- 2 Remove the system-board assembly. See "Removing a System-Board Assembly" on page 68.
- 3 Remove the expansion card. See "Removing the Expansion Card" on page 75.
- 4 Remove the two screws securing the expansion-card connector to the expansion-card bracket. See Figure 3-11.
- 5 Pull the expansion-card connector away from the expansion-card racket. See Figure 3-11.

Figure 3-11. Removing and Installing the Expansion-Card Connector



- | | | | |
|---|------------------------|---|--------------------------|
| 1 | screw (2) | 2 | expansion-card connector |
| 3 | expansion-card bracket | | |

Installing the Expansion-Card Connector



CAUTION: Many repairs may only be done by a certified service technician. You should only perform troubleshooting and simple repairs as authorized in your product documentation, or as directed by the online or telephone service and support team. Damage due to servicing that is not authorized by Dell is not covered by your warranty. Read and follow the safety instructions that came with the product.

- 1 Place the expansion-card connector into the expansion-card bracket. See Figure 3-11.
- 2 Replace the two screws securing the expansion-card connector to the expansion-card bracket. See Figure 3-11.
- 3 Install the expansion card. See "Installing the Expansion Card" on page 77.
- 4 Replace the system-board assembly. See "Installing a System-Board Assembly" on page 69.
- 5 Reconnect the system to its electrical outlet and turn on the system, including any attached peripherals.

Daughter Card

Removing the SAS Daughter Card

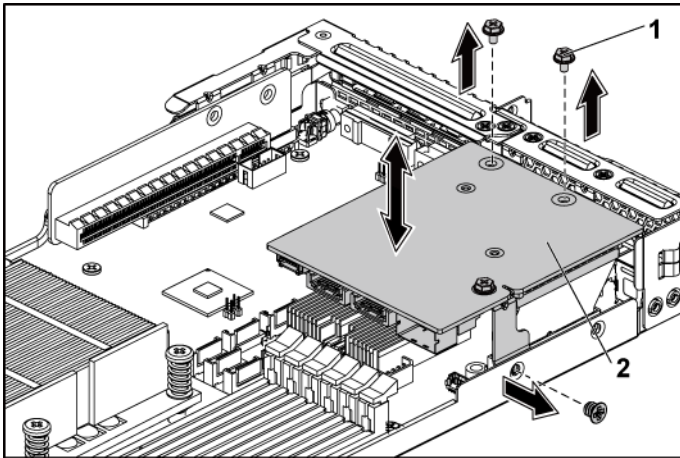


CAUTION: Many repairs may only be done by a certified service technician. You should only perform troubleshooting and simple repairs as authorized in your product documentation, or as directed by the online or telephone service and support team. Damage due to servicing that is not authorized by Dell is not covered by your warranty. Read and follow the safety instructions that came with the product.

- 1 Turn off the system, including any attached peripherals, and disconnect the system from its electrical outlet.
- 2 Remove the system-board assembly. See "Removing a System-Board Assembly" on page 68.

- 3 Disconnect all the cables from the daughter card.
- 4 Remove the three screws that secure the daughter card. See Figure 3-12.
- 5 Lift the daughter card out of the system-board assembly. See Figure 3-12.

Figure 3-12. Removing and Installing the SAS Daughter Card



1 screw (3)

2 daughter card

Installing the SAS Daughter Card



CAUTION: Many repairs may only be done by a certified service technician. You should only perform troubleshooting and simple repairs as authorized in your product documentation, or as directed by the online or telephone service and support team. Damage due to servicing that is not authorized by Dell is not covered by your warranty. Read and follow the safety instructions that came with the product.

- 1 Place the daughter card on the system-board assembly. See Figure 3-12 and Figure 5-10.
- 2 Replace the three screws that secure the daughter card. See Figure 3-12.

- 3 Reconnect all the cables to the daughter card.
- 4 Replace the system-board assembly. See "Installing a System-Board Assembly" on page 69.
- 5 Reconnect the system to its electrical outlet and turn on the system, including any attached peripherals.

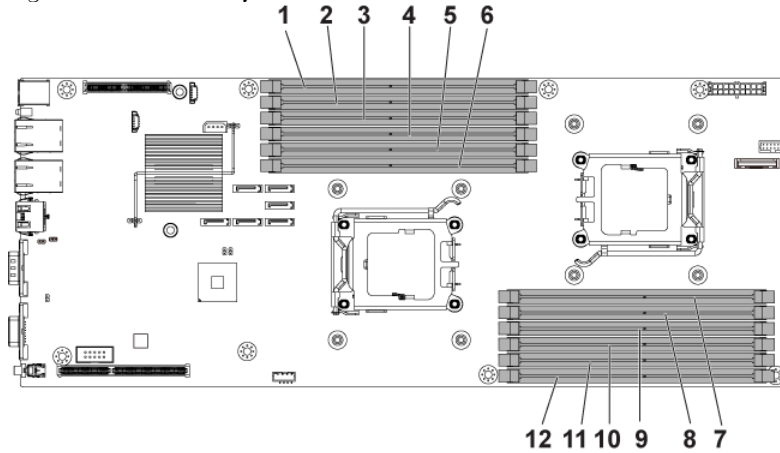
System Memory

Each system board has twelve unbuffered or registered DDR3-DIMM slots for the installation of up to twelve DDR3-800/1066/1333 memory chips to support processor 0 and processor 1. See "System Board Connectors" on page 147 for the location of the memory modules.

Supported DIMM Configuration

For the sequence of the twelve DIMM sockets, see Figure 3-13. When you insert the SR/DR DIMM(s), always start with DIMMA2. See Table 3-2 for possible memory configurations.

Figure 3-13. Memory Slot Locations



- | | | | |
|----|---------|----|---------|
| 1 | DIMM_C2 | 2 | DIMM_C1 |
| 3 | DIMM_C0 | 4 | DIMM_D2 |
| 5 | DIMM_D1 | 6 | DIMM_D0 |
| 7 | DIMM_B0 | 8 | DIMM_B1 |
| 9 | DIMM_B2 | 10 | DIMM_A0 |
| 11 | DIMM_A1 | 12 | DIMM_A2 |

Table 3-2. Memory Module Configurations

	DIMM	Processor 0					
		DIMM B0	DIMM B1	DIMM B2	DIMM A0	DIMM A1	DIMM A2
SR/DR	1	–	–	–	–	–	√
	2	–	–	√	–	–	√
	2	–	–	–	–	–	√
	4	√	–	√	√	–	√
	4	–	–	√	–	–	√
	6	√	√	√	√	√	√
	8	√		√	√		√
OR	12	√	√	√	√	√	√
	4	–	√	–	–	√	–

	DIMM	Processor 1					
		DIMM D0	DIMM D1	DIMM D2	DIMM C0	DIMM C1	DIMM C2
SR/DR	1	–	–	–	–	–	–
	2	–	–	–	–	–	–
	2	–	–	–	–	–	√
	4	–	–	–	–	–	–
	4	–	–	√	–	–	√
	6	–	–	–	–	–	–
	8	√	–	√	√	–	√
	12	√	√	√	√	√	√
QR	4	–	√	–	–	√	–



NOTE: An empty DIMM socket is marked as “–”. For best performance, all the memory modules installed must be of the same speed, capacity, and from the same manufacturer. SR is Single Rank, DR is Dual Rank and QR is Quad Rank.

Removing the Memory Modules



WARNING: The memory modules are hot to the touch for some time after the system has been powered down. Allow time for the memory modules to cool before handling them. Handle the memory modules by the card edges and avoid touching the components on the memory module.



CAUTION: Many repairs may only be done by a certified service technician. You should only perform troubleshooting and simple repairs as authorized in your product documentation, or as directed by the online or telephone service and support team. Damage due to servicing that is not authorized by Dell is not covered by your warranty. Read and follow the safety instructions that came with the product.

- 1 Turn off the system, including any attached peripherals, and disconnect the system from the electrical outlet.
- 2 Remove the system-board assembly. See "Removing a System-Board Assembly" on page 68.
- 3 Locate the memory module sockets. See Figure 3-13.

- 4 Press down and out on the ejectors on each end of the socket until the memory module pops out of the socket. See Figure 3-14.
- 5 Handle each memory module only on either card edge, making sure not to touch the middle of the memory module.
- 6 Replace the system-board assembly. See "Installing a System-Board Assembly" on page 69.
- 7 Reconnect the system to the electrical outlet and turn the system on, including any attached peripherals.

Installing the Memory Modules



WARNING: The memory modules are hot to the touch for some time after the system has been powered down. Allow time for the memory modules to cool before handling them. Handle the memory modules by the card edges and avoid touching the components on the memory module.



CAUTION: Many repairs may only be done by a certified service technician. You should only perform troubleshooting and simple repairs as authorized in your product documentation, or as directed by the online or telephone service and support team. Damage due to servicing that is not authorized by Dell is not covered by your warranty. Read and follow the safety instructions that came with the product.

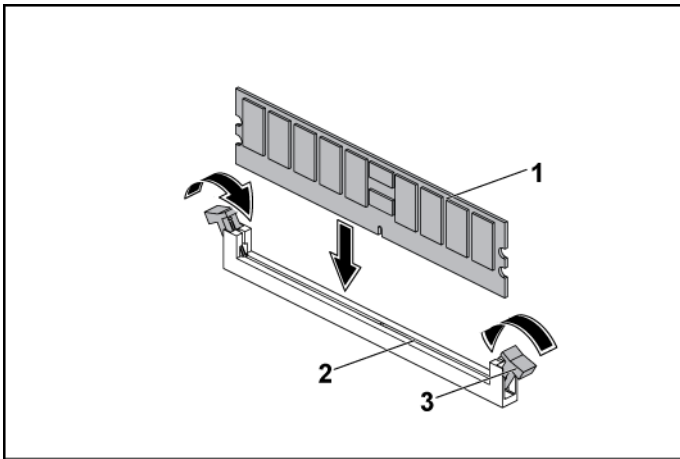
- 1 Turn off the system, including any attached peripherals, and disconnect the system from its electrical outlet.
- 2 Remove the system-board assembly. See "Removing a System-Board Assembly" on page 68.
- 3 Locate the memory module sockets. See Figure 3-13.
- 4 Press the ejectors on the memory module socket down and out, as shown in Figure 3-14, to allow the memory module to be inserted into the socket.
- 5 Handle each memory module only on either card edge, making sure not to touch the middle of the memory module.

- 6 Align the memory module's edge connector with the alignment key of the memory module socket, and insert the memory module in the socket. See Figure 3-14.



NOTE: The memory module socket has an alignment key that allows you to install the memory module in the socket in only one way.

Figure 3-14. Installing and Removing a DIMM



- | | | | |
|---|----------------------------------|---|----------------------|
| 1 | memory module | 2 | memory module socket |
| 3 | memory module socket ejector (2) | | |

- 7 Press down on the memory module with your thumbs to lock the memory module into the socket. See Figure 3-14.

When the memory module is properly seated in the socket, the ejectors on the memory module socket align with the ejectors on the other sockets that have memory modules installed.

- 8 Repeat step 4 through step 7 of this procedure to install the remaining memory modules in the approved configurations. See Table 3-2.
- 9 Replace the system-board assembly. See "Installing a System-Board Assembly" on page 69.

- 10 Start up the system, press <F2> to enter the System Setup program, and check the System Memory settings on the main System Setup screen.

The system should have already changed the value to reflect the newly installed memory.

- 11 If the value is incorrect, one or more of the memory modules may not be installed properly. Repeat step 2 through step 10 of this procedure, to ensure that the memory modules are firmly seated in their sockets.

Interposer Extenders



CAUTION: Many repairs may only be done by a certified service technician. You should only perform troubleshooting and simple repairs as authorized in your product documentation, or as directed by the online or telephone service and support team. Damage due to servicing that is not authorized by Dell is not covered by your warranty. Read and follow the safety instructions that came with the product.

Removing the Interposer Extender

- 1 Turn off the system, including any attached peripherals, and disconnect the system from its electrical outlet.
- 2 Remove the system-board assembly. See "Removing a System-Board Assembly" on page 68.
- 3 Remove the five screws that secure the interposer extender to the interposer-extender tray. See Figure 3-15.
- 4 Disconnect all the cables from the interposer extender. See Figure 5-9.
- 5 Lift the interposer extender out of the interposer-extender tray. See Figure 3-15.

- 5 Reconnect the system to its electrical outlet and turn on the system, including any attached peripherals.

System Battery

Replacing the System Battery



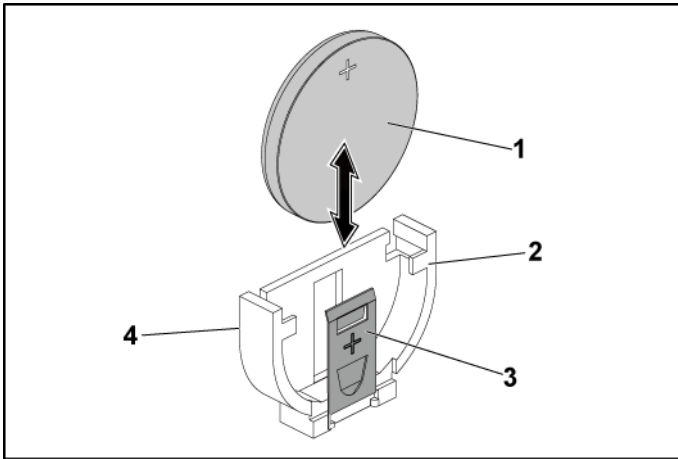
WARNING: There is a danger of a new battery exploding if it is incorrectly installed. Replace the battery only with the same or equivalent type recommended by the manufacturer. See your safety information for additional information.



CAUTION: Many repairs may only be done by a certified service technician. You should only perform troubleshooting and simple repairs as authorized in your product documentation, or as directed by the online or telephone service and support team. Damage due to servicing that is not authorized by Dell is not covered by your warranty. Read and follow the safety instructions that came with the product.

- 1 Turn off the system, including any attached peripherals, and disconnect the system from the electrical outlet.
- 2 Remove the system-board assembly. See "Removing a System-Board Assembly" on page 68.

Figure 3-16. Replacing the System Battery



- | | | | |
|---|----------------|---|------------------------------------|
| 1 | system battery | 2 | positive side of battery connector |
| 3 | retention clip | 4 | negative side of battery connector |

3 Locate the battery location. See “System Board Connectors” on page 147.



CAUTION: To avoid damage to the battery connector, you must firmly support the connector while installing or removing a battery.

- 4 Gently pull the retention clip over the battery towards the positive side of the connector and lift the battery out of the connector. See Figure 3-16.
- 5 Hold the new battery with the “+” facing the retention clip on the battery connector. See Figure 3-16.
- 6 Gently pull the retention clip towards the positive side of the connector and slide the battery into the connector until the retention clip snaps into place. See Figure 3-16.

- 7 Replace the system-board assembly. See “Installing a System-Board Assembly” on page 69.
- 8 Reconnect the system to the electrical outlet and turn the system on, including any attached peripherals.
- 9 Enter the System Setup program to confirm that the battery is operating properly. See “Using the System Setup Program” on page 30.
- 10 Enter the correct time and date in the System Setup program’s **Time** and **Date** fields.
- 11 Exit the System Setup program.

RAID Battery (Optional)

Removing the RAID Battery



CAUTION: Many repairs may only be done by a certified service technician. You should only perform troubleshooting and simple repairs as authorized in your product documentation, or as directed by the online or telephone service and support team. Damage due to servicing that is not authorized by Dell is not covered by your warranty. Read and follow the safety instructions that came with the product.

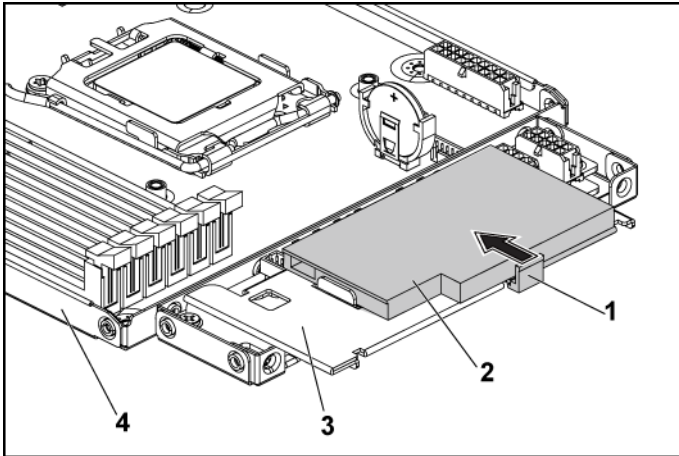


NOTE: The information in this section applies only to systems with the optional RAID controller card.

- 1 Turn off the system, including any attached peripherals, and disconnect the system from the electrical outlet.
- 2 Remove the system-board assembly. See “Removing a System-Board Assembly” on page 68.
- 3 To disconnect the RAID battery cable from the connector on the PERC card, press the tab on the RAID battery cable connector, and gently pull the cable connector out of the connector on the PERC card.
- 4 Press the RAID battery latch and lift the RAID battery to release it from the RAID battery carrier. See Figure 3-17.

- 5 Slide and lift the RAID battery away from the RAID battery carrier. See Figure 3-17.

Figure 3-17. Removing and Installing the RAID Battery



- | | | | |
|---|----------------------|---|-----------------------|
| 1 | RAID battery latch | 2 | RAID battery |
| 3 | RAID battery carrier | 4 | system-board assembly |

Installing the RAID Battery

- 1 Insert the RAID battery into the battery carrier until the RAID battery latch locks into place. See Figure 3-17.
- 2 Connect the RAID battery cable to the connector on the PERC card.
- 3 Replace the system-board assembly. See “Installing a System-Board Assembly” on page 69.
- 4 Reconnect the system to the electrical outlet and turn the system on, including any attached peripherals.

Removing the RAID Battery Carrier



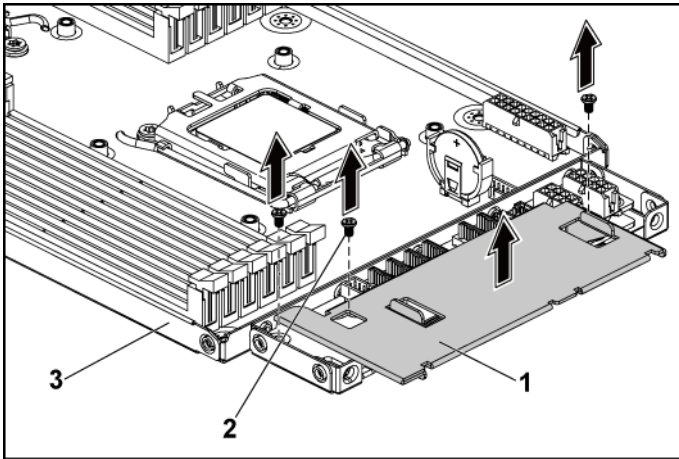
CAUTION: Many repairs may only be done by a certified service technician. You should only perform troubleshooting and simple repairs as authorized in your product documentation, or as directed by the online or telephone service and support team. Damage due to servicing that is not authorized by Dell is not covered by your warranty. Read and follow the safety instructions that came with the product.



NOTE: The information in this section applies only to systems with the optional RAID controller card.

- 1 Turn off the system, including any attached peripherals, and disconnect the system from the electrical outlet.
- 2 Remove the system-board assembly. See “Removing a System-Board Assembly” on page 68.
- 3 Remove the RAID battery. See “Removing the RAID Battery” on page 91.
- 4 Remove the three screws securing the RAID battery carrier to the interposer extender. See Figure 3-18.
- 5 Replace the system-board assembly. See “Installing a System-Board Assembly” on page 69.
- 6 Reconnect the system to the electrical outlet and turn the system on, including any attached peripherals.

Figure 3-18. Removing and Installing the RAID Battery Carrier



- 1 RAID battery carrier
- 2 screw (3)
- 3 system-board assembly

Installing the RAID Battery Carrier

- 1 Place the RAID battery carrier in position on the interposer extender. See Figure 3-18.
- 2 Replace the screws securing the RAID battery carrier to the interposer extender. See Figure 3-18.
- 3 Install the RAID battery into the RAID battery carrier. See “Installing the RAID Battery” on page 92.
- 4 Replace the system-board assembly. See “Installing a System-Board Assembly” on page 69.
- 5 Reconnect the system to the electrical outlet and turn the system on, including any attached peripherals.

System Board

Removing a System Board



CAUTION: Many repairs may only be done by a certified service technician. You should only perform troubleshooting and simple repairs as authorized in your product documentation, or as directed by the online or telephone service and support team. Damage due to servicing that is not authorized by Dell is not covered by your warranty. Read and follow the safety instructions that came with the product.

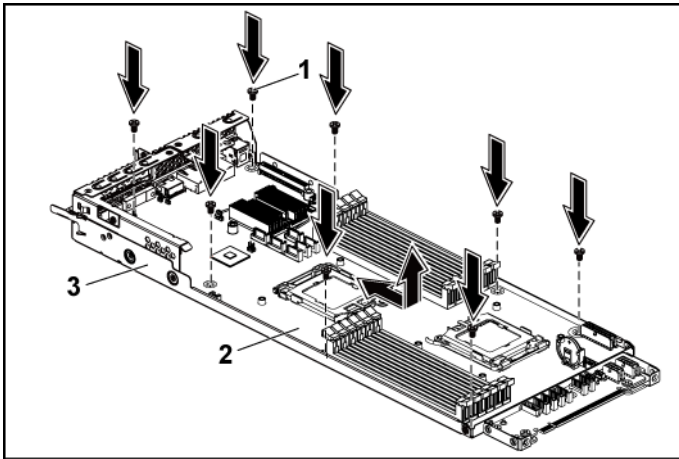
- 1 Turn off the system and attached peripherals, and disconnect the system from the electrical outlet.
- 2 Remove the system-board assembly. See "Removing a System-Board Assembly" on page 68.
- 3 Remove the heat sink. See "Removing the Heat Sink" on page 70.
- 4 Remove the expansion-card assembly. See "Removing the Expansion Card" on page 75.
- 5 If installed, remove the SAS daughter card. See "Removing the SAS Daughter Card" on page 80.
- 6 Disconnect the hard drive and power cables from the system board.
- 7 Remove the eight screws and then slide the system board. See Figure 3-19.



CAUTION: Do not lift the system board by grasping a memory module, processor, or other components.

- 8 Grasp the system board by the edges and lift the system board away from the system-board assembly. See Figure 3-19.

Figure 3-19. Removing and Installing the System Board



- 1 screw (8)
- 2 system board
- 3 system-board assembly

Installing a System Board

- 1 Unpack the new system board.
- 2 Holding the system board by the edges, slide the system board into the system-board assembly.
- 3 Replace the eight screws to secure the system board to the system-board assembly.
- 4 Transfer the processors to the new system board. See "Removing a Processor" on page 72 and "Installing a Processor" on page 73.
- 5 Remove the memory modules and transfer them to the same locations on the new board. See "Interposer Extenders" on page 87 and "Installing the Memory Modules" on page 85.
- 6 Connect the hard drive and power cables to the system board.

- 7 If applicable, install the SAS daughter card. See "Installing the SAS Daughter Card" on page 81.
- 8 Install the expansion-card assembly. See "Installing the Expansion Card" on page 77.
- 9 Replace the system-board assembly. See "Installing a System-Board Assembly" on page 69.
- 10 Reconnect the system to its electrical outlet and turn on the system, including any attached peripherals.

Opening and Closing the System



WARNING: Whenever you need to lift the system, get others to assist you. To avoid injury, do not attempt to lift the system by yourself.



CAUTION: This system must be operated with the system cover installed to ensure proper cooling.

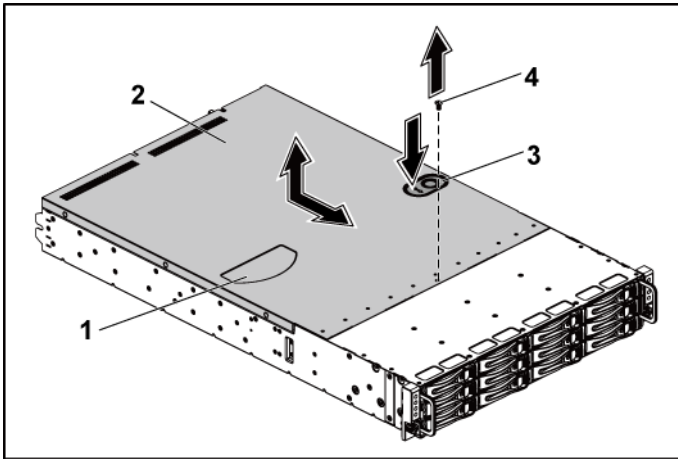


CAUTION: Many repairs may only be done by a certified service technician. You should only perform troubleshooting and simple repairs as authorized in your product documentation, or as directed by the online or telephone service and support team. Damage due to servicing that is not authorized by Dell is not covered by your warranty. Read and follow the safety instructions that came with the product.

Opening the System

- 1 Turn off the system, including any attached peripherals, and disconnect the system from the electrical outlet.
- 2 Remove the securing screw from the system cover. See Figure 3-20.
- 3 Press the cover release latch lock. See Figure 3-20.
- 4 Grasp cover on both the sides with your palm on the traction pad, slide out and lift the cover away from the system. See Figure 3-20.

Figure 3-20. Opening and Closing the System



- | | | | |
|---|--------------------------|---|----------------|
| 1 | traction pad | 2 | system cover |
| 3 | cover release latch lock | 4 | securing screw |

Closing the System

- 1 Place the cover on the chassis and slide it to the front of the chassis until it snaps into place. See Figure 3-20.
- 2 Secure the cover with the securing screw. See Figure 3-20.

Cooling Fans

Removing a Cooling Fan



WARNING: Do not attempt to operate the system without the cooling fans.



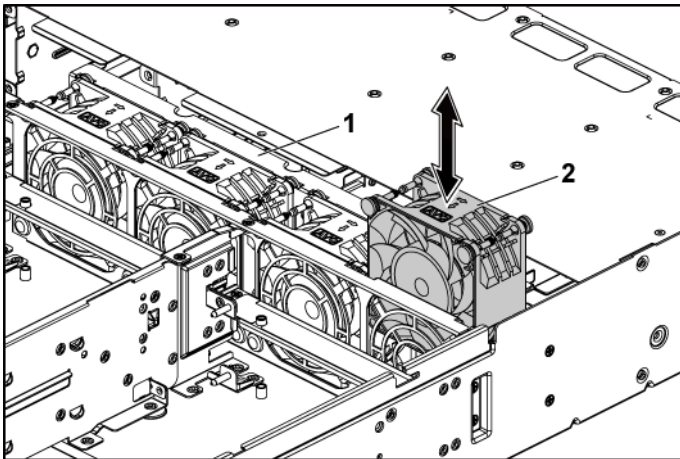
WARNING: The cooling fan can continue to spin for some time after the system has been powered down. Allow time for the fan to stop spinning before removing it from the system.



CAUTION: Many repairs may only be done by a certified service technician. You should only perform troubleshooting and simple repairs as authorized in your product documentation, or as directed by the online or telephone service and support team. Damage due to servicing that is not authorized by Dell is not covered by your warranty. Read and follow the safety instructions that came with the product.

- 1 Turn off the system, including any attached peripherals, and disconnect the system from its electrical outlet.
- 2 Open the system. See "Opening the System" on page 97.
- 3 Disconnect the fan's power cable from the fan-controller board.
Note the routing of the cable underneath the tabs on the chassis as you remove them from the system. You must route these cables properly when you replace them to prevent the cables from being pinched or crimped.
- 4 Lift the fan out of the cooling-fan cage.

Figure 3-21. Removing and Installing a Cooling Fan



1 cooling-fan cage

2 cooling fans (4)

Installing a Cooling Fan



CAUTION: Many repairs may only be done by a certified service technician. You should only perform troubleshooting and simple repairs as authorized in your product documentation, or as directed by the online or telephone service and support team. Damage due to servicing that is not authorized by Dell is not covered by your warranty. Read and follow the safety instructions that came with the product.

- 1 Align the cooling fan and slide it in the cooling-fan cage until the cooling fan is firmly seated. See Figure 3-21.



NOTE: The fan blades should face the front panel of the system.

- 2 Connect the fan's power cable to the connector on the fan-controller board.

You must route these cables properly through the tabs on the chassis to prevent them from being pinched or crimped.

- 3 Close the system. See "Closing the System" on page 98.
- 4 Reconnect the system to its electrical outlet and turn on the system, including any attached peripherals.

Power Distribution Boards

Removing a Power Distribution Board



CAUTION: Many repairs may only be done by a certified service technician. You should only perform troubleshooting and simple repairs as authorized in your product documentation, or as directed by the online or telephone service and support team. Damage due to servicing that is not authorized by Dell is not covered by your warranty. Read and follow the safety instructions that came with the product.



NOTE: This system has two power distribution boards. The procedure to remove and install both the power distribution boards is similar. To access the second power distribution board at the bottom, remove the power distribution board at the top.

- 1 Turn off the system, including any attached peripherals, and disconnect the system from its electrical outlet.
- 2 Open the system. See "Opening the System" on page 97.
- 3 Remove the power supply. See "Removing and Installing a Power Supply" on page 67.
- 4 Disconnect all the cables from the first power distribution board. See Figure 5-12.

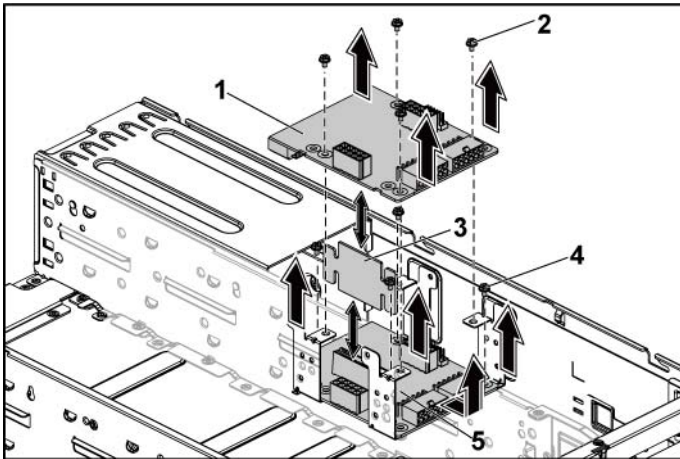
Note the routing of the cable underneath the tabs on the chassis as you remove them from the system. You must route these cables properly when you replace them to prevent the cables from being pinched or crimped.

- 5 Remove the screws securing the first power distribution board to the system. See Figure 3-22.
- 6 Lift the power distribution board out of the system. See Figure 3-22.



NOTE: To remove the second power distribution board that is below the first power distribution board, remove the power distribution board connector and angle the board before lifting.

Figure 3-22. Removing and Installing a Power Distribution Board



- | | | | |
|---|------------------------------------|---|-----------|
| 1 | 1st power distribution board | 2 | screw (4) |
| 3 | power distribution board-connector | 4 | screw (4) |
| 5 | 2nd power distribution board | | |

Installing a Power Distribution Board



CAUTION: Many repairs may only be done by a certified service technician. You should only perform troubleshooting and simple repairs as authorized in your product documentation, or as directed by the online or telephone service and support team. Damage due to servicing that is not authorized by Dell is not covered by your warranty. Read and follow the safety instructions that came with the product.



CAUTION: If removed, you must replace the second power distribution board at the bottom and the power distribution board-connector before replacing the first power distribution board at the top.

- 1 If removed, first place the second power distribution board in the system. See Figure 3-22. Otherwise skip to step 5.



NOTE: To install the second power distribution board that is below the first power distribution board, angle the board during installation.

- 2 Replace the screws securing the second power distribution board to the system. See Figure 3-22.
- 3 Replace the power distribution board-connector. See Figure 3-22.
- 4 Connect all the cables to the second power distribution board. See Figure 5-12.

You must route these cables properly through the tabs on the chassis to prevent them from being pinched or crimped.

- 5 Replace the screws securing the first power distribution board to the system. See Figure 3-22.
- 6 Connect all the cables to the first power distribution board. See Figure 5-12.

You must route these cables properly through the tabs on the chassis to prevent them from being pinched or crimped.

- 7 Replace the power supply. See "Installing a Power Supply" on page 67.
- 8 Close the system. See "Closing the System" on page 98.
- 9 Reconnect the system to its electrical outlet and turn on the system, including any attached peripherals.

Fan Controller Board

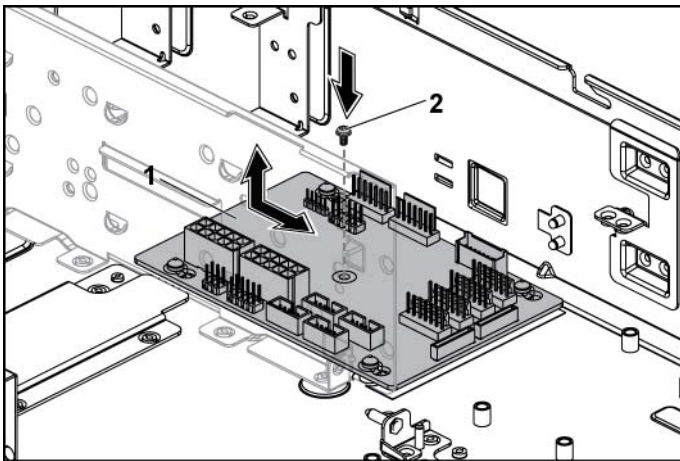
Removing the Fan Controller Board



CAUTION: Many repairs may only be done by a certified service technician. You should only perform troubleshooting and simple repairs as authorized in your product documentation, or as directed by the online or telephone service and support team. Damage due to servicing that is not authorized by Dell is not covered by your warranty. Read and follow the safety instructions that came with the product.

- 1 Turn off the system, including any attached peripherals, and disconnect the system from its electrical outlet.
- 2 Open the system. See "Opening the System" on page 97.
- 3 Remove the power distribution boards. See "Removing a Power Distribution Board" on page 100.
- 4 Disconnect all the cables from the fan controller board. See Figure 5-11. Note the routing of the cable underneath the tabs on the chassis as you remove them from the system. You must route these cables properly when you replace them to prevent the cables from being pinched or crimped.
- 5 Remove the screw securing the fan controller board to the chassis. See Figure 3-23.
- 6 Slide and lift the fan controller board out of the chassis. See Figure 3-23.

Figure 3-23. Removing and Installing the Fan Controller Board



1 fan controller board

2 screw

Installing the Fan Controller Board



CAUTION: Many repairs may only be done by a certified service technician. You should only perform troubleshooting and simple repairs as authorized in your product documentation, or as directed by the online or telephone service and support team. Damage due to servicing that is not authorized by Dell is not covered by your warranty. Read and follow the safety instructions that came with the product.

- 1 Place the fan controller board into the chassis and slide it into place. See Figure 3-23.
- 2 Replace the screw to secure the fan controller board to the chassis. See Figure 3-23.
- 3 Connect all the cables to the fan controller board. See Figure 5-11. You must route these cables properly through the tabs on the chassis to prevent them from being pinched or crimped.
- 4 Replace the power distribution boards. See "Installing a Power Distribution Board" on page 102.
- 5 Close the system. See "Closing the System" on page 98.
- 6 Reconnect the system to its electrical outlet and turn on the system, including any attached peripherals.

Middle Planes

Removing the Middle Planes

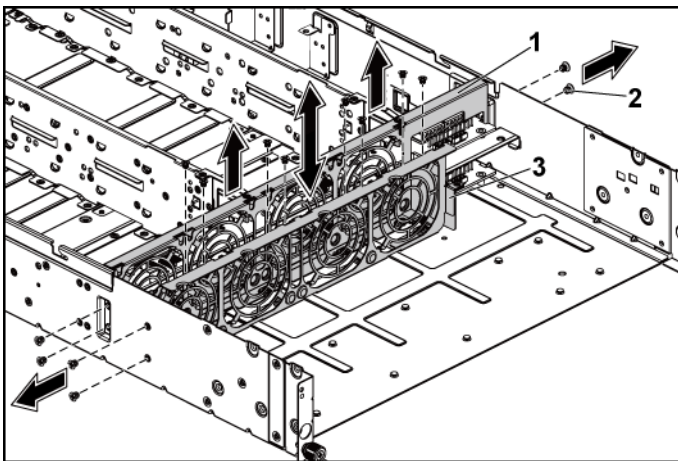


CAUTION: Many repairs may only be done by a certified service technician. You should only perform troubleshooting and simple repairs as authorized in your product documentation, or as directed by the online or telephone service and support team. Damage due to servicing that is not authorized by Dell is not covered by your warranty. Read and follow the safety instructions that came with the product.

- 1 Turn off the system, including any attached peripherals, and disconnect the system from its electrical outlet.

- 2 Open the system. See "Opening the System" on page 97.
- 3 Remove the system-board assemblies. See "Removing a System-Board Assembly" on page 68.
- 4 Remove the cooling fans. See "Removing a Cooling Fan" on page 98.
- 5 Remove the screws that secure the cooling-fan brackets to the chassis. See Figure 3-24.
- 6 Lift the cooling-fan brackets out of the chassis. See Figure 3-24.

Figure 3-24. Removing and Installing the Cooling-Fan Brackets

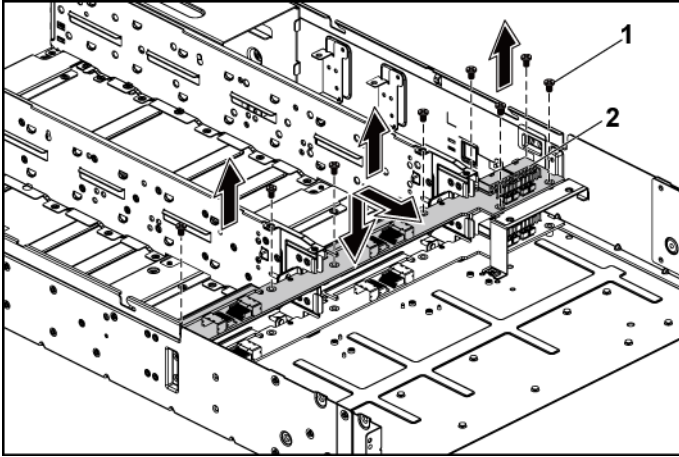


- | | | | |
|---|-----------------------------|---|------------|
| 1 | cooling fan bracket (long) | 2 | Screw (14) |
| 3 | cooling fan bracket (short) | | |

- 7 Remove the screws that secure the upper middle plane to the middle plane holder. Figure 3-25.
- 8 Disconnect all the cables from the upper middle plane. See Figure 5-9. Note the routing of the cable underneath the tabs on the chassis as you remove them from the system. You must route these cables properly when you replace them to prevent the cables from being pinched or crimped.

9 Lift the upper middle plane out. See Figure 3-25.

Figure 3-25. Removing and Installing the Upper Middle Plane



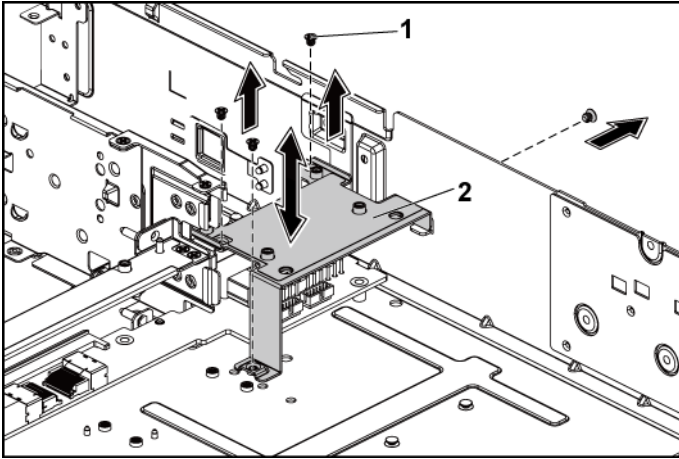
1 screw (9)

2 upper middle plane

10 Remove the screws that secure the mid-plane holder support to the chassis. See Figure 3-26.

11 Lift the mid-plane holder support out of the chassis. Figure 3-26.

Figure 3-26. Removing and Installing the Mid-plane Holder Support



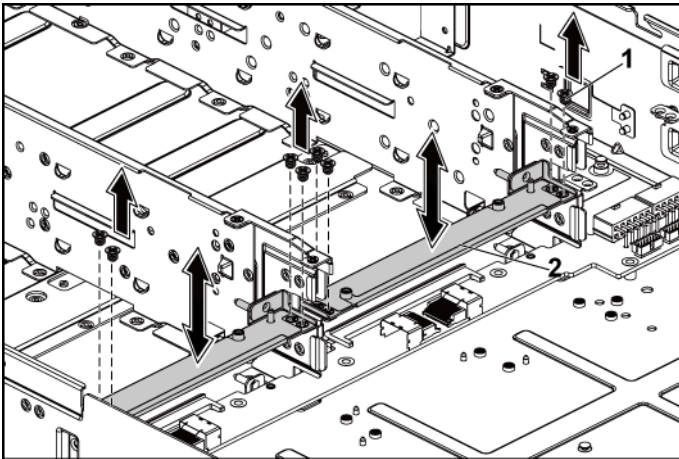
1 screw (4)

2 mid-plane holder support

12 Remove the screws that secure the mid-plane holder to the chassis.
Figure 3-27.

13 Lift the mid-plane holder out of the chassis. See Figure 3-27.

Figure 3-27. Removing and Installing the Mid-plane Holder



1 screw (8)

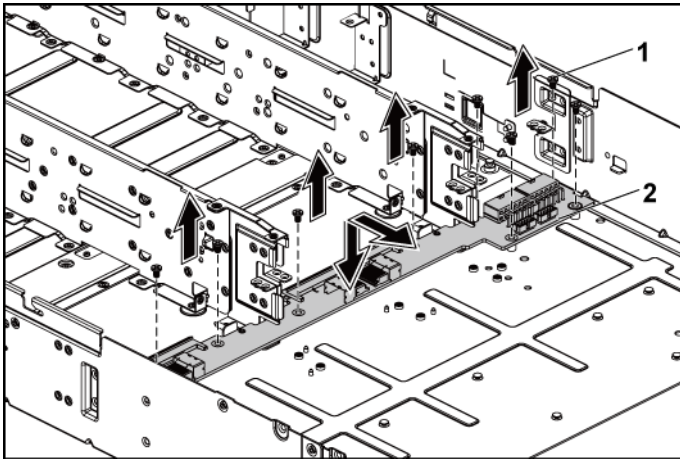
2 mid-plane holder

14 Remove the screws that secure the lower middle plane to the chassis. See Figure 3-28.

15 Disconnect all the cables from the lower middle plane. See Figure 5-9. Note the routing of the cable underneath the tabs on the chassis as you remove them from the system. You must route these cables properly when you replace them to prevent the cables from being pinched or crimped.

16 Lift the lower middle plane out of the chassis. See Figure 3-28.

Figure 3-28. Removing and Installing the Lower Middle Plane



1 screw (8)

2 lower middle plane

Installing the Middle Planes



CAUTION: Many repairs may only be done by a certified service technician. You should only perform troubleshooting and simple repairs as authorized in your product documentation, or as directed by the online or telephone service and support team. Damage due to servicing that is not authorized by Dell is not covered by your warranty. Read and follow the safety instructions that came with the product.

- 1 Place the lower middle plane into the chassis. See Figure 3-28.
- 2 Replace the screws that secure the lower middle plane to the chassis. See Figure 3-28.
- 3 Connect all the cables to the lower middle plane. See Figure 5-9. You must route these cables properly through the tabs on the chassis to prevent them from being pinched or crimped.
- 4 Place the middle plane holder into the chassis. See Figure 3-27.

- 5 Replace the screws that secure the middle plane holder to the chassis. See Figure 3-27.
- 6 Place the mid-plane holder support into the chassis. See Figure 3-26.
- 7 Replace the screws that secure the mid-plane holder support to the chassis. See Figure 3-26.
- 8 Place the upper middle plane on the middle plane holder. See Figure 3-25.
- 9 Replace the screws that secure the middle plane to the middle plane holder. Figure 3-25.
- 10 Connect all the cables to the upper middle plane. See Figure 5-9.
You must route these cables properly through the tabs on the chassis to prevent them from being pinched or crimped.
- 11 Place the fan bracket into the chassis. Figure 3-24.
- 12 Replace the screws that secure the fan bracket to the chassis. Figure 3-24.
- 13 Replace the cooling fans. See "Installing a Cooling Fan" on page 100.
- 14 Replace the system-board assemblies. See "Installing a System-Board Assembly" on page 69.
- 15 Close the system, see "Closing the System" on page 98.
- 16 Reconnect the system to its electrical outlet and turn on the system, including any attached peripherals.

Backplanes



NOTE: Following is the replacement procedure of SATA2 and SAS backplane for 3.5-inch hard drive systems. Replacement procedure for 2.5-inch of SATA2 and SAS backplane is similar to backplane for 3.5-inch hard drive systems.

Removing the Backplane



CAUTION: Many repairs may only be done by a certified service technician. You should only perform troubleshooting and simple repairs as authorized in your product documentation, or as directed by the online or telephone service and support team. Damage due to servicing that is not authorized by Dell is not covered by your warranty. Read and follow the safety instructions that came with the product.

- 1 Turn off the system, including any attached peripherals, and disconnect the system from its electrical outlet.
- 2 Remove all the hard drives. See “Removing a Hard-Drive Carrier” on page 61.
- 3 Open the system. See "Opening the System" on page 97.



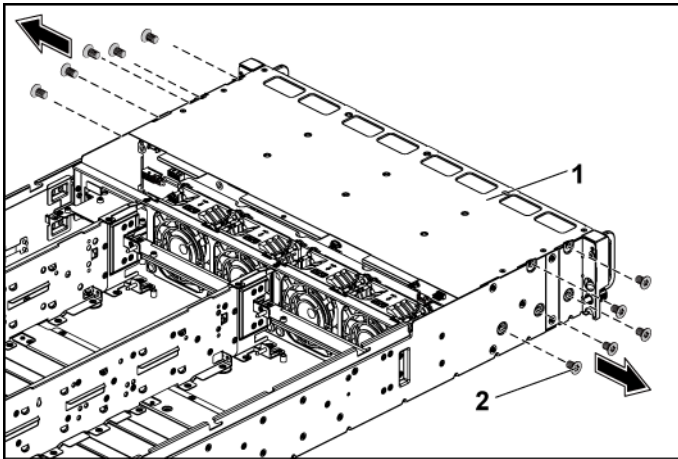
CAUTION: To prevent damage to the drives and backplane, you must remove the hard drives from the system before removing the backplane.



CAUTION: You must note the number of each hard drive and temporarily label them before removal so that you can replace them in the same locations.

- 4 Remove the screws that secure the hard-drive cage to the chassis. See Figure 3-29.

Figure 3-29. Removing and Installing the Backplane



1 hard-drive cage

2 screw (10)

5 Remove the screws that secure the front-panel assemblies to the chassis. See Figure 3-30.

6 Disconnect all the cables from the backplane. See Figure 5-3 for 3.5-inch hard drives and Figure 5-5 for 2.5-inch hard drives.

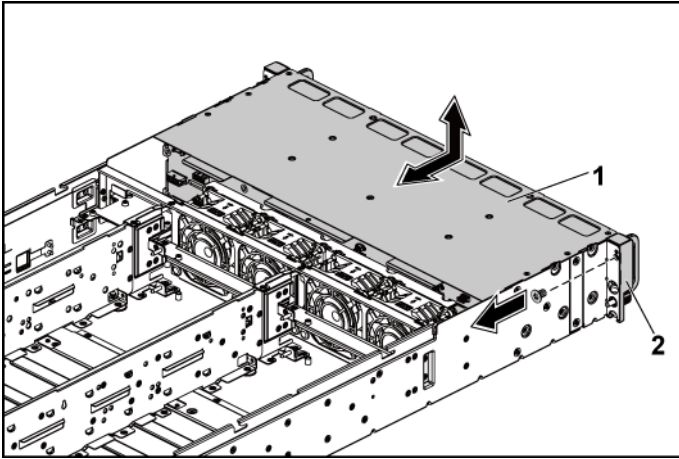
Note the routing of the cable underneath the tabs on the chassis as you remove them from the system. You must route these cables properly when you replace them to prevent the cables from being pinched or crimped.

7 Disconnect front panel cables from the fan controller board. See Figure 5-11.

Note the routing of the cable underneath the tabs on the chassis as you remove them from the system. You must route these cables properly when you replace them to prevent the cables from being pinched or crimped.

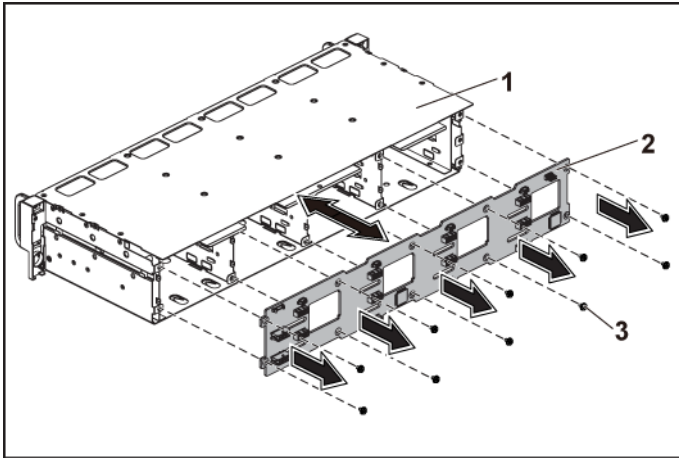
8 Remove the hard-drive cage from the chassis. See Figure 3-30.

Figure 3-30. Removing and Installing the Hard-Drive Cage



- 1 hard-drive cage
 - 2 front-panel assembly (2)
- 9 Remove the screws that secure the backplane to the hard-drive cage. See Figure 3-31.
- 10 Remove the backplane from the hard-drive cage. See Figure 3-31.

Figure 3-31. Removing and Installing the Backplane From the Hard-Drive Cage



- | | | | |
|---|-----------------|---|-----------|
| 1 | hard-drive cage | 2 | backplane |
| 3 | screw (10) | | |

Installing the Backplane



CAUTION: Many repairs may only be done by a certified service technician. You should only perform troubleshooting and simple repairs as authorized in your product documentation, or as directed by the online or telephone service and support team. Damage due to servicing that is not authorized by Dell is not covered by your warranty. Read and follow the safety instructions that came with the product.

- 1 Install the backplane into the hard-drive cage. See Figure 3-31.
- 2 Replace the screws that secure the backplane to the hard-drive cage. See Figure 3-31.
- 3 Replace the hard-drive cage into the chassis. See Figure 3-30.
- 4 Replace the screws that secure the front-panel assemblies to the chassis. See Figure 3-30.

- 5 Connect all the cables to the backplane. See Figure 5-3 for 3.5-inch hard drives and Figure 5-5 for 2.5-inch hard drives.
You must route these cables properly through the tabs on the chassis to prevent them from being pinched or crimped.
- 6 Connect front panel cables to the fan controller board. See Figure 5-11.
You must route these cables properly through the tabs on the chassis to prevent them from being pinched or crimped.
- 7 Replace the screws that secure the hard-drive cage. See Figure 3-29.
- 8 Close the system, see "Closing the System" on page 98.
- 9 Replace the hard drives. See "Installing a Hard Drive into a Hard-Drive Carrier" on page 64.
- 10 Reconnect the system to its electrical outlet and turn on the system, including any attached peripherals.

Expander Card (Optional)




NOTE: The information in this section applies only to two system-board systems with the 2.5-inch of SATA2 and SAS backplane.


Removing the Expander Card



CAUTION: Many repairs may only be done by a certified service technician. You should only perform troubleshooting and simple repairs as authorized in your product documentation, or as directed by the online or telephone service and support team. Damage due to servicing that is not authorized by Dell is not covered by your warranty. Read and follow the safety instructions that came with the product.

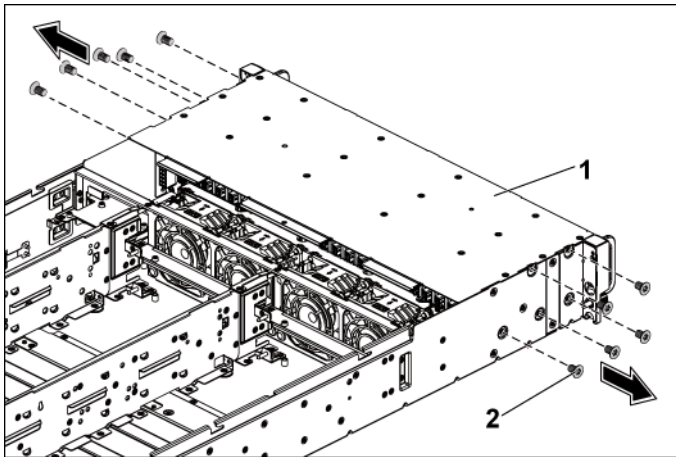
- 1 Turn off the system, including any attached peripherals, and disconnect the system from its electrical outlet.
- 2 Remove all the hard drives. See "Removing a Hard-Drive Carrier" on page 61.
- 3 Open the system. See "Opening the System" on page 97.

 **CAUTION:** To prevent damage to the drives and backplane, you must remove the hard drives from the system before removing the backplane.

 **CAUTION:** You must note the number of each hard drive and temporarily label them before removal so that you can replace them in the same locations.

- 4 Remove the screws that secure the hard-drive cage to the chassis. See Figure 3-32.

Figure 3-32. Removing and Installing the 2.5-inch Hard-Drive Backplane



- | | | | |
|---|-----------------|---|------------|
| 1 | hard-drive cage | 2 | screw (10) |
|---|-----------------|---|------------|

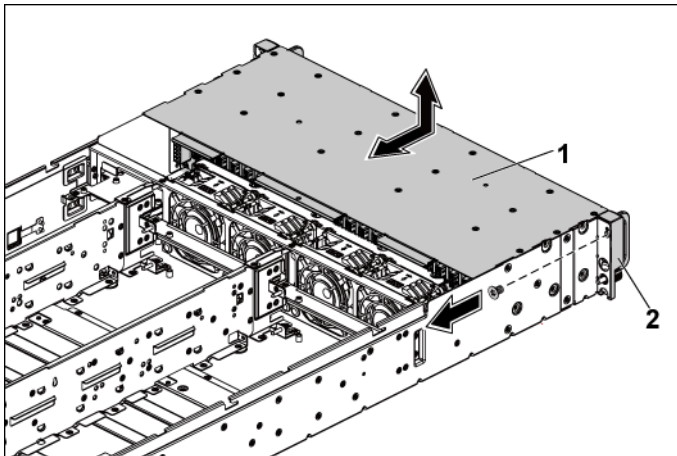
- 5 Remove the screws that secure the front-panel assemblies to the chassis. See Figure 3-32.

- 6 Disconnect all the cables from the backplane. See Figure 5-6 for 2.5-inch hard drives.

Note the routing of the cable underneath the tabs on the chassis as you remove them from the system. You must route these cables properly when you replace them to prevent the cables from being pinched or crimped.

- 7 Disconnect all the cables from the expander card. See Figure 5-7.
Note the routing of the cable underneath the tabs on the chassis as you remove them from the system. You must route these cables properly when you replace them to prevent the cables from being pinched or crimped.
- 8 Disconnect front panel cables from the fan controller board. See Figure 5-11.
Note the routing of the cable underneath the tabs on the chassis as you remove them from the system. You must route these cables properly when you replace them to prevent the cables from being pinched or crimped.
- 9 Remove the hard-drive cage from the chassis. See Figure 3-33.

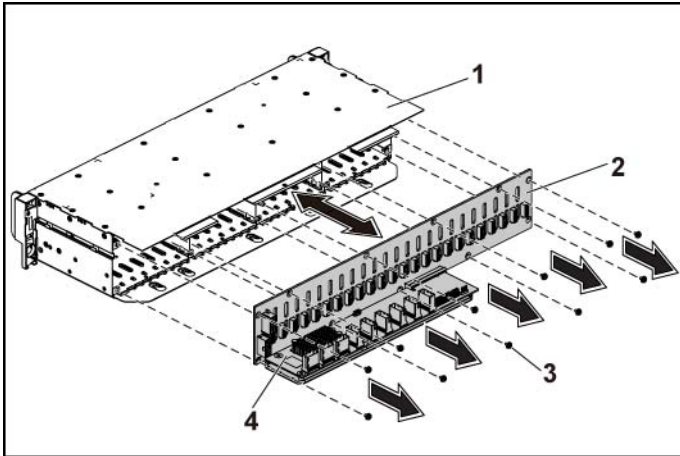
Figure 3-33. Removing and Installing the Hard-Drive Cage



- | | | | |
|---|-----------------|---|--------------------------|
| 1 | hard-drive cage | 2 | front-panel assembly (2) |
|---|-----------------|---|--------------------------|
- 10 Remove the screws that secure the backplane to the hard-drive cage. See Figure 3-34.

- 11 Remove the backplane with the expander card from the hard-drive cage.
See Figure 3-34.

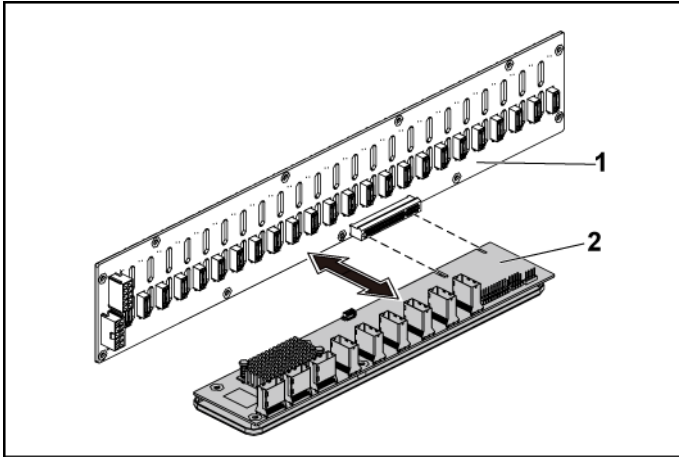
Figure 3-34. Removing and Installing the Backplane with the Expander Card From the Hard-Drive Cage



- | | | | |
|---|-----------------|---|-------------------------------|
| 1 | hard-drive cage | 2 | 2.5-inch hard-drive backplane |
| 3 | screw (10) | 4 | expander card |

- 12 Remove the expander card from the 2.5-inch hard-drive backplane. See Figure 3-35.

Figure 3-35. Removing and Installing the Expander Card From the Backplane



- 1 2.5-inch hard-drive backplane 2 expander card

Installing the Expander Card



CAUTION: Many repairs may only be done by a certified service technician. You should only perform troubleshooting and simple repairs as authorized in your product documentation, or as directed by the online or telephone service and support team. Damage due to servicing that is not authorized by Dell is not covered by your warranty. Read and follow the safety instructions that came with the product.

- 1 Install the expander card into the 2.5-inch hard-drive backplane. See Figure 3-35.
- 2 Install the 2.5-inch hard-drive backplane into the hard-drive cage. See Figure 3-34.
- 3 Replace the screws that secure the backplane to the hard-drive cage. See Figure 3-34.
- 4 Replace the hard-drive cage into the chassis. See Figure 3-33.

- 5 Replace the screws that secure the front-panel assemblies to the chassis. See Figure 3-33.
- 6 Connect all the cables to the backplane. See Figure 5-5 for 2.5-inch hard drives.
You must route these cables properly through the tabs on the chassis to prevent them from being pinched or crimped.
- 7 Connect all the cables to the expander card. See Figure 5-7.
You must route these cables properly through the tabs on the chassis to prevent them from being pinched or crimped.
- 8 Connect front panel cables to the fan controller board. See Figure 5-11.
You must route these cables properly through the tabs on the chassis to prevent them from being pinched or crimped.
- 9 Replace the screws that secure the hard-drive cage. See Figure 3-32.
- 10 Close the system, see "Closing the System" on page 98.
- 11 Replace the hard drives. See "Installing a Hard Drive into a Hard-Drive Carrier" on page 64.
- 12 Reconnect the system to its electrical outlet and turn on the system, including any attached peripherals.

Front Panels

Removing the Front Panel



CAUTION: Many repairs may only be done by a certified service technician. You should only perform troubleshooting and simple repairs as authorized in your product documentation, or as directed by the online or telephone service and support team. Damage due to servicing that is not authorized by Dell is not covered by your warranty. Read and follow the safety instructions that came with the product.

- 1 Turn off the system, including any attached peripherals, and disconnect the system from the electrical outlet.

2 Remove all the hard drives. See "Removing a Hard-Drive Carrier" on page 61.

3 Open the system. See "Opening the System" on page 97.

4 Disconnect all the cables from the backplane. See Figure 5-3 for 3.5-inch hard drives and Figure 5-6 for 2.5-inch hard drives.

Note the routing of the cable underneath the tabs on the chassis as you remove them from the system. You must route these cables properly when you replace them to prevent the cables from being pinched or crimped.

5 Disconnect front panel cables from the fan controller board. See Figure 5-11.

Note the routing of the cable underneath the tabs on the chassis as you remove them from the system. You must route these cables properly when you replace them to prevent the cables from being pinched or crimped.

6 Remove the screws that secure the hard-drive cage to the chassis. See Figure 3-29.

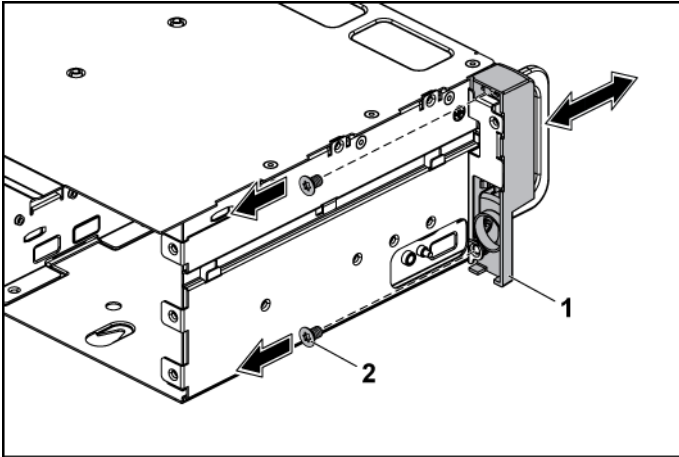
7 Remove the screws that secure the front-panel assemblies to the chassis. See Figure 3-30.

8 Remove the hard-drive cage from the chassis. See Figure 3-30.

9 Remove the screws that secure the front-panel assembly to the hard-drive cage. See Figure 3-36.

10 Remove the front-panel assembly from the hard-drive cage. See Figure 3-36.

Figure 3-36. Removing and Installing a Front Panel Assembly



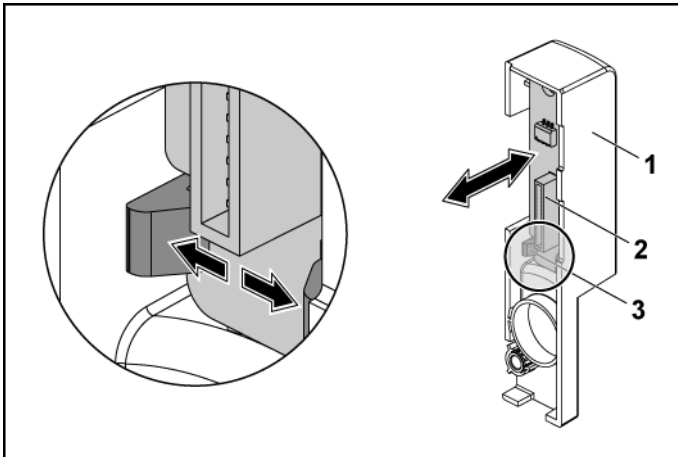
1 front-panel assembly

2 screw (2)

11 Push aside the retention hooks on the front-panel assembly. See Figure 3-37.

12 Remove the front panel from the front-panel assembly. See Figure 3-37.

Figure 3-37. Removing and Installing a Front Panel



- 1 front-panel assembly
- 2 front panel
- 3 retention hooks

Installing the Front Panel



CAUTION: Many repairs may only be done by a certified service technician. You should only perform troubleshooting and simple repairs as authorized in your product documentation, or as directed by the online or telephone service and support team. Damage due to servicing that is not authorized by Dell is not covered by your warranty. Read and follow the safety instructions that came with the product.

- 1 Push aside the retention hooks on the front-panel assembly and place the front panel into the front-panel assembly. See Figure 3-37.
- 2 Replace the front-panel assembly into the hard-drive cage. See Figure 3-36.
- 3 Replace the screws that secure the front-panel assembly to the hard-drive cage. See Figure 3-36.
- 4 Replace the hard-drive cage into the chassis. See Figure 3-30.

- 5 Replace the screws that secure the front-panel assemblies to the chassis. See Figure 3-30.
- 6 Replace the screws that secure the hard-drive cage to the chassis. See Figure 3-29.
- 7 Connect front panel cables to the fan controller board. See Figure 5-11. You must route these cables properly through the tabs on the chassis to prevent them from being pinched or crimped.
- 8 Connect all the cables to the backplane. See Figure 5-3 for 3.5-inch hard drives and Figure 5-6 for 2.5-inch hard drives. You must route these cables properly through the tabs on the chassis to prevent them from being pinched or crimped.
- 9 Close the system. See "Closing the System" on page 98.
- 10 Replace the hard drives. See "Installing a Hard Drive into a Hard-Drive Carrier" on page 64.
- 11 Reconnect the system to its electrical outlet and turn on the system, including any attached peripherals.

Sensor Boards

Removing the Sensor Board for 3.5" HDD System



CAUTION: Many repairs may only be done by a certified service technician. You should only perform troubleshooting and simple repairs as authorized in your product documentation, or as directed by the online or telephone service and support team. Damage due to servicing that is not authorized by Dell is not covered by your warranty. Read and follow the safety instructions that came with the product.

- 1 Turn off the system, including any attached peripherals, and disconnect the system from the electrical outlet.
- 2 Remove all the hard drives. See "Removing a Hard-Drive Carrier" on page 61.
- 3 Open the system. See "Opening the System" on page 97.

- 4 Disconnect all the cables from the backplane. See Figure 5-3 for 3.5-inch hard drives.

Note the routing of the cable underneath the tabs on the chassis as you remove them from the system. You must route these cables properly when you replace them to prevent the cables from being pinched or crimped.

- 5 Disconnect front panel cables from the fan controller board. See Figure 5-11.

Note the routing of the cable underneath the tabs on the chassis as you remove them from the system. You must route these cables properly when you replace them to prevent the cables from being pinched or crimped.

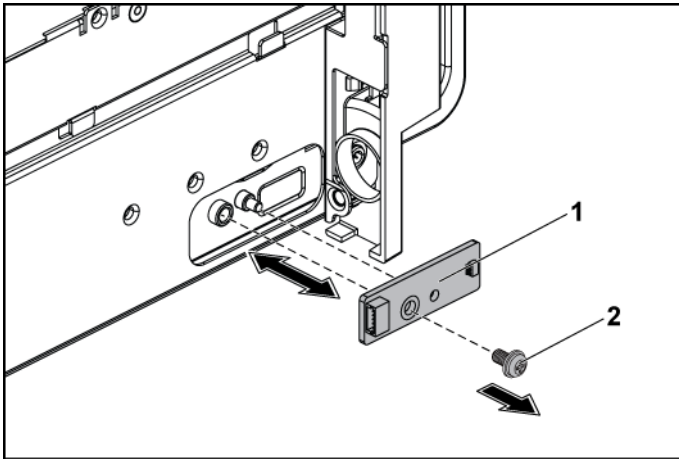
- 6 Remove the hard drive cage from the chassis. See Figure 3-30.

- 7 Disconnect the cable from the sensor board. See Figure 5-13.

- 8 Remove the screw that secure the sensor board to the hard drive cage. See Figure 3-38.

- 9 Remove the sensor board from the hard drive cage. See Figure 3-38.

Figure 3-38. Removing and Installing the Sensor Board



1 sensor board

2 screw

Installing the Sensor Board for 3.5" HDD System



CAUTION: Many repairs may only be done by a certified service technician. You should only perform troubleshooting and simple repairs as authorized in your product documentation, or as directed by the online or telephone service and support team. Damage due to servicing that is not authorized by Dell is not covered by your warranty. Read and follow the safety instructions that came with the product.

- 1 Replace the sensor board into the hard drive cage. See Figure 3-38.
- 2 Replace the screw that secure the sensor board to the hard drive cage. See Figure 3-32.
- 3 Connect the sensor board cable to the sensor board. See Figure 5-13.
- 4 Replace the hard drive cage into the chassis. See Figure 3-30.
- 5 Replace the screws that secure the hard-drive cage to the chassis. See Figure 3-29.

- 6 Connect all the cables to the backplane. See Figure 5-3 for 3.5-inch hard drives.
You must route these cables properly through the tabs on the chassis to prevent them from being pinched or crimped.
- 7 Connect front panel cables to the fan controller board. See Figure 5-11.
You must route these cables properly through the tabs on the chassis to prevent them from being pinched or crimped.
- 8 Close the system. See "Closing the System" on page 98.
- 9 Replace the hard drives. See "Installing a Hard Drive into a Hard-Drive Carrier" on page 64.
- 10 Reconnect the system to its electrical outlet and turn on the system, including any attached peripherals.

Removing the Sensor Board for 2.5" HDD System



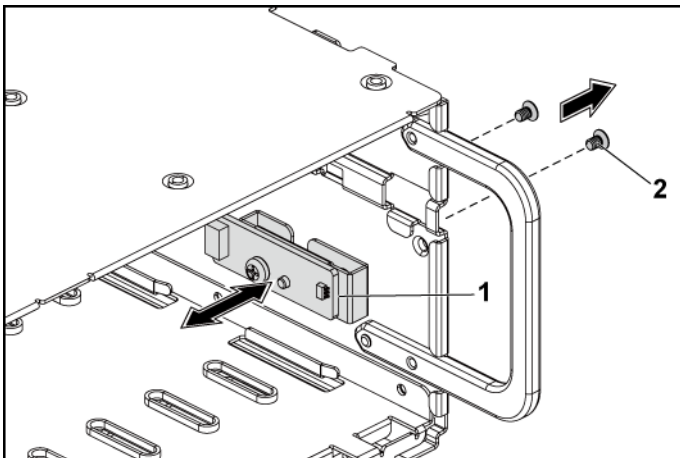
CAUTION: Many repairs may only be done by a certified service technician. You should only perform troubleshooting and simple repairs as authorized in your product documentation, or as directed by the online or telephone service and support team. Damage due to servicing that is not authorized by Dell is not covered by your warranty. Read and follow the safety instructions that came with the product.

- 1 Turn off the system, including any attached peripherals, and disconnect the system from the electrical outlet.
- 2 Remove all the hard drives. See "Removing a Hard-Drive Carrier" on page 61.
- 3 Open the system. See "Opening the System" on page 97.
- 4 Disconnect all the cables from the backplane. See Figure 5-6 for 2.5-inch hard drives.

Note the routing of the cable underneath the tabs on the chassis as you remove them from the system. You must route these cables properly when you replace them to prevent the cables from being pinched or crimped.

- 5 Disconnect front panel cables from the fan controller board. See Figure 5-11.
Note the routing of the cable underneath the tabs on the chassis as you remove them from the system. You must route these cables properly when you replace them to prevent the cables from being pinched or crimped.
- 6 Remove the hard drive cage from the chassis. See Figure 3-30.
- 7 Disconnect the cable from the sensor board assembly. See Figure 5-13.
- 8 Remove the screw that secure the sensor board assembly to the hard drive cage. See Figure 3-39.
- 9 Remove the sensor board assembly from the hard drive cage. See Figure 3-39.

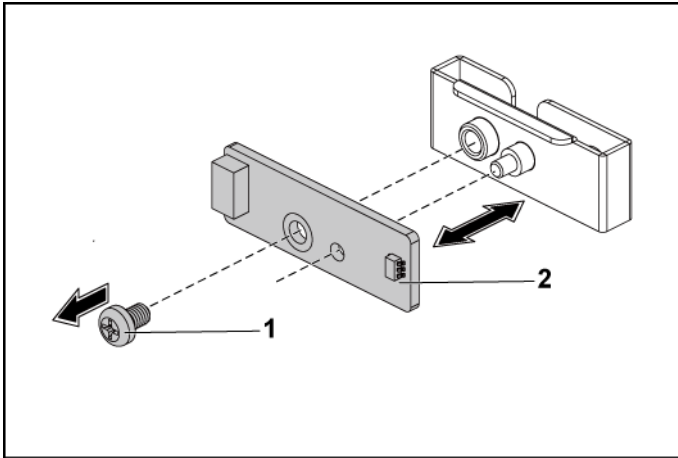
Figure 3-39. Removing and Installing the Sensor Board Assembly



- | | | | |
|---|-----------------------|---|-----------|
| 1 | sensor board assembly | 2 | screw (2) |
|---|-----------------------|---|-----------|
- 10 Remove the screw that secures the sensor board to the sensor-board holder. See Figure 3-40.

- 11 Remove the sensor board from the sensor-board holder. See Figure 3-40.

Figure 3-40. Removing and Installing the Sensor Board



1 screw

2 sensor-board holder

Installing the Sensor Board for 2.5" HDD System



CAUTION: Many repairs may only be done by a certified service technician. You should only perform troubleshooting and simple repairs as authorized in your product documentation, or as directed by the online or telephone service and support team. Damage due to servicing that is not authorized by Dell is not covered by your warranty. Read and follow the safety instructions that came with the product.

- 1 Replace the sensor board into the sensor-board holder. See Figure 3-40.
- 2 Replace the sensor board assembly into the hard drive cage. See Figure 3-39.
- 3 Replace the screw that secure the sensor board to the hard drive cage. See Figure 3-39.
- 4 Connect the sensor board cable to the sensor board. See Figure 5-13.

- 5 Replace the hard drive cage into the chassis. See Figure 3-30.
- 6 Replace the screws that secure the hard-drive cage to the chassis. See Figure 3-29.
- 7 Connect all the cables to the backplane. See Figure 5-6 for 2.5-inch hard drives.
You must route these cables properly through the tabs on the chassis to prevent them from being pinched or crimped.
- 8 Connect front panel cables to the fan controller board. See Figure 5-11.
You must route these cables properly through the tabs on the chassis to prevent them from being pinched or crimped.
- 9 Close the system. See "Closing the System" on page 98.
- 10 Replace the hard drives. See "Installing a Hard Drive into a Hard-Drive Carrier" on page 64.
- 11 Reconnect the system to its electrical outlet and turn on the system, including any attached peripherals.

Troubleshooting Your System

Safety First – For You and Your System



WARNING: Whenever you need to lift the system, get others to assist you. To avoid injury, do not attempt to lift the system by yourself.



WARNING: Before removing the system cover, disconnect all power, then unplug the AC power cord, and then disconnect all peripherals, and all LAN lines.



CAUTION: Many repairs may only be done by a certified service technician. You should only perform troubleshooting and simple repairs as authorized in your product documentation, or as directed by the online or telephone service and support team. Damage due to servicing that is not authorized by Dell is not covered by your warranty. Read and follow the safety instructions that came with the product.

Installation Problems

Perform the following checks if you are troubleshooting an installation problem:

- Check all cable and power connections (including all rack cable connections).
- Unplug the power cord and wait for one minute. Then reconnect the power cord and try again.
- If the network is reporting an error, verify that the system has enough memory and disk space.
- Remove all added peripherals, one at a time, and try to turn on the system. If after removing a peripheral the system works, it may be a problem with the peripheral or a configuration problem between the peripheral and the system. Contact the peripheral vendor for assistance.
- If the system does not power on, check the LED display. If the power LED is not on, you may not be receiving AC power. Check the AC power cord to make sure that it is securely connected.

Troubleshooting System Startup Failure

If your system halts during startup, especially after installing an operating system or reconfiguring your system's hardware, check for invalid memory configurations. These could cause the system to halt at startup without any video output. See "System Memory" on page 82.

For all other startup issues, note any system messages that appear onscreen. See "Using the System Setup Program" on page 30 for more information.

Troubleshooting External Connections

Ensure that all external cables are securely attached to the external connectors on your system before troubleshooting any external devices. See Figure 1-1, Figure 1-3, and Figure 1-6 for the front- and back-panel connectors on your system.

Troubleshooting the Video Subsystem

- 1 Check the system and power connections to the monitor.
- 2 Check the video interface cabling from the system to the monitor.

Troubleshooting a USB Device

Use the following steps to troubleshoot a USB keyboard and/or mouse. For other USB devices, go to step 5.

- 1 Disconnect the keyboard and mouse cables from the system briefly and reconnect them.
- 2 Connect the keyboard/mouse to the USB port(s) on the opposite side of the system.
- 3 If the problem is resolved, restart the system, enter the System Setup program, and check if the nonfunctioning USB ports are enabled.

- 4 Replace the keyboard/mouse with another working keyboard/mouse. If the problem is resolved, replace the faulty keyboard/mouse. If the problem is not resolved, proceed to the next step to begin troubleshooting the other USB devices attached to the system.
- 5 Power down all attached USB devices and disconnect them from the system.
- 6 Restart the system and, if your keyboard is functioning, enter the system setup program. Verify that all USB ports are enabled. See "USB Configuration" on page 44. If your keyboard is not functioning, you can also use remote access. If the system is not accessible, see "Jumper Settings" on page 158 for instructions on setting the NVRAM_CLR jumper inside your system and restoring the BIOS to the default settings.
- 7 Reconnect and power on each USB device one at a time.
- 8 If a device causes the same problem, power down the device, replace the USB cable, and power up the device. If the problem persists, replace the device. If all troubleshooting fails, see "Getting Help" on page 162.

Troubleshooting a Serial I/O Device

- 1 Turn off the system and any peripheral devices connected to the serial port.
- 2 Swap the serial interface cable with another working cable, and turn on the system and the serial device. If the problem is resolved, replace the interface cable.
- 3 Turn off the system and the serial device, and swap the device with a comparable device.

- 4 Turn on the system and the serial device.
If the problem is resolved, replace the serial device.
If the problem persists, see "Getting Help" on page 162.

Troubleshooting a NIC

- 1 Restart the system and check for any system messages pertaining to the NIC controller.
- 2 Check the appropriate indicator on the NIC connector. See "NIC Indicators (Management Port)" on page 21.
 - If the link indicator does not light, check all cable connections.
 - If the activity indicator does not light, the network driver files might be damaged or missing.
Remove and reinstall the drivers if applicable. See the NIC's documentation.
 - Change the auto-negotiation setting, if possible.
 - Use another connector on the switch or hub.If you are using a NIC card instead of an integrated NIC, see the documentation for the NIC card.
- 3 Ensure that the appropriate drivers are installed and the protocols are bound. See the NIC's documentation.
- 4 Enter the System Setup program and confirm that the NIC ports are enabled. See "Using the System Setup Program" on page 30.
- 5 Ensure that the NICs, hubs, and switches on the network are all set to the same data transmission speed. See the documentation for each network device.
- 6 Ensure that all network cables are of the proper type and do not exceed the maximum length.
If all troubleshooting fails, see "Getting Help" on page 162.

Troubleshooting a Wet System



CAUTION: Many repairs may only be done by a certified service technician. You should only perform troubleshooting and simple repairs as authorized in your product documentation, or as directed by the online or telephone service and support team. Damage due to servicing that is not authorized by Dell is not covered by your warranty. Read and follow the safety instructions that came with the product.

- 1 Turn off the system and attached peripherals, and disconnect the system from the electrical outlet.
- 2 Open the system. See "Opening the System" on page 97.
- 3 Disassemble components from the system. See "Installing System Components" on page 58.
 - Hard drives
 - SAS backplane
 - Expansion-card
 - Power supplies
 - Fans
 - Processors and heat sinks
 - Memory modules
- 4 Let the system dry thoroughly for at least 24 hours.
- 5 Reinstall the components you removed in step 3.
- 6 Close the system. See "Closing the System" on page 98.
- 7 Reconnect the system to the electrical outlet, and turn on the system and attached peripherals.

If the system does not start properly, see "Getting Help" on page 162.
- 8 If the system starts properly, shut down the system and reinstall the expansion card that you removed. See "Installing the Expansion Card" on page 77.
- 9 If the system fails to start, see "Getting Help" on page 162.

Troubleshooting a Damaged System



CAUTION: Many repairs may only be done by a certified service technician. You should only perform troubleshooting and simple repairs as authorized in your product documentation, or as directed by the online or telephone service and support team. Damage due to servicing that is not authorized by Dell is not covered by your warranty. Read and follow the safety instructions that came with the product.

- 1 Turn off the system and attached peripherals, and disconnect the system from the electrical outlet.
- 2 Open the system. See "Opening the System" on page 97.
- 3 Ensure that the following components are properly installed:
 - Expansion-card assembly
 - Power supplies
 - Fans
 - Processors and heat sinks
 - Memory modules
 - Hard-drive carriers
- 4 Ensure that all cables are properly connected.
- 5 Close the system. See "Closing the System" on page 98.
- 6 If the system fails to start, see "Getting Help" on page 162.

Troubleshooting the System Battery



NOTE: If the system is turned off for long periods of time (for weeks or months), the NVRAM may lose its system configuration information. This situation is caused by a defective battery.

- 1 Re-enter the time and date through the System Setup program. See "System Setup Options at Boot" on page 31.
- 2 Turn off the system and disconnect it from the electrical outlet for at least one hour.
- 3 Reconnect the system to the electrical outlet and turn on the system.

- 4 Enter the System Setup program.

If the date and time are not correct in the System Setup program, replace the battery. See “Replacing the System Battery” on page 89.



CAUTION: Many repairs may only be done by a certified service technician. You should only perform troubleshooting and simple repairs as authorized in your product documentation, or as directed by the online or telephone service and support team. Damage due to servicing that is not authorized by Dell is not covered by your warranty. Read and follow the safety instructions that came with the product.

If the problem is not resolved by replacing the battery, see “Getting Help” on page 162.



NOTE: Some software may cause the system time to speed up or slow down. If the system seems to operate normally except for the time kept in the System Setup program, the problem may be caused by software rather than by a defective battery.

Troubleshooting Power Supplies

- 1 Identify the faulty power supply by the power supply's fault indicator. See "Power and System Board Indicator Codes" on page 21.



CAUTION: At least one power supply must be installed for the system to operate. Operating the system with only one power supply installed for extended periods of time can cause the system to overheat.

- 2 Reseat the power supply by removing and reinstalling it. See "Power Supplies" on page 65.



NOTE: After installing a power supply, allow several seconds for the system to recognize the power supply and to determine if it is working properly. The power indicator turns green to signify that the power supply is functioning properly.

If the problem persists, replace the faulty power supply.

- 3 If all troubleshooting fails, see "Getting Help" on page 162.

Troubleshooting System Cooling Problems



CAUTION: Many repairs may only be done by a certified service technician. You should only perform troubleshooting and simple repairs as authorized in your product documentation, or as directed by the online or telephone service and support team. Damage due to servicing that is not authorized by Dell is not covered by your warranty. Read and follow the safety instructions that came with the product.

Ensure that none of the following conditions exist:

- System cover, cooling shroud, drive blank, power supply blank, or front or back filler panel is removed.
- Ambient temperature is too high.
- External airflow is obstructed.
- Cables inside the system obstruct airflow.
- An individual cooling fan is removed or has failed. See "Troubleshooting a Fan" on page 139.

Troubleshooting a Fan



CAUTION: Many repairs may only be done by a certified service technician. You should only perform troubleshooting and simple repairs as authorized in your product documentation, or as directed by the online or telephone service and support team. Damage due to servicing that is not authorized by Dell is not covered by your warranty. Read and follow the safety instructions that came with the product.

- 1 Locate the faulty fan indicated by the diagnostic software.
- 2 Turn off the system and all attached peripherals.
- 3 Open the system. See "Opening the System" on page 97.
- 4 Reseat the fan's power cable.
- 5 Restart the system.

If the fan functions properly, close the system. See "Closing the System" on page 98.

- 6 If the fan does not function, turn off the system and install a new fan. See "Cooling Fans" on page 98.

- 7 Restart the system.

If the problem is resolved, close the system. See "Closing the System" on page 98.

If the replacement fan does not operate, see "Getting Help" on page 162.

Troubleshooting System Memory



CAUTION: Many repairs may only be done by a certified service technician. You should only perform troubleshooting and simple repairs as authorized in your product documentation, or as directed by the online or telephone service and support team. Damage due to servicing that is not authorized by Dell is not covered by your warranty. Read and follow the safety instructions that came with the product.



NOTE: Invalid memory configurations can cause your system to halt at startup without video output. See "System Memory" on page 82 and verify that your memory configuration complies with all applicable guidelines.

- 1 If the system is not operational, turn off the system and attached peripherals, and unplug the system from the power source. Wait at least 10 seconds and then reconnect the system to power.
- 2 Turn on the system and attached peripherals and note the messages on the screen.
Go to step 10 if an error message appears indicating a fault with a specific memory module.
- 3 Enter the System Setup program and check the system memory settings.
See "System Memory" on page 34. Make any changes to the memory settings, if needed.
If the memory settings match the installed memory but a problem is still indicated, go to step 10.

- 4 Turn off the system and attached peripherals, and disconnect the system from the electrical outlet.
- 5 Remove the system-board assembly. See "Removing a System-Board Assembly" on page 68.
- 6 Reseat the memory modules in their sockets. See "Installing the Memory Modules" on page 85.
- 7 Install the system-board assembly. See "Installing a System-Board Assembly" on page 69.
- 8 Reconnect the system to its electrical outlet, and turn on the system and attached peripherals.
- 9 Enter the System Setup program and check the system memory settings. See "System Memory" on page 34.
If the problem is not resolved, proceed with the next step.
- 10 Turn off the system and attached peripherals, and disconnect the system from the power source.
- 11 Remove the system-board assembly. See "Removing a System-Board Assembly" on page 68.
- 12 If a diagnostic test or error message indicates a specific memory module as faulty, swap or replace the module.
- 13 To troubleshoot an unspecified faulty memory module, replace the memory module in the first DIMM socket with a module of the same type and capacity. See "Installing the Memory Modules" on page 85.
- 14 Install the system-board assembly. See "Removing a System-Board Assembly" on page 68.
- 15 Reconnect the system to its electrical outlet, and turn on the system and attached peripherals.
- 16 As the system boots, observe any error message that appears and the diagnostic indicators on the front of the system.

- 17 If the memory problem is still indicated, repeat step 10 through step 16 for each memory module installed.

If the problem persists after all memory modules have been checked, see "Getting Help" on page 162.

Troubleshooting a Hard Drive



CAUTION: Many repairs may only be done by a certified service technician. You should only perform troubleshooting and simple repairs as authorized in your product documentation, or as directed by the online or telephone service and support team. Damage due to servicing that is not authorized by Dell is not covered by your warranty. Read and follow the safety instructions that came with the product.



CAUTION: This troubleshooting procedure can destroy data stored on the hard drive. Before you proceed, back up all files on the hard drive.

- 1 If your system has a RAID controller and your hard drives are configured in a RAID array, perform the following steps:
 - a. Restart the system and enter the host adapter configuration utility program by pressing <Ctrl><H> for LSI 9260 or <Ctrl><C> for a SAS 2008 daughter card.
See the documentation supplied with the host adapter for information about the configuration utility.
 - b. Ensure that the hard drive(s) have been configured correctly for the RAID array.
 - c. Take the hard drive offline and reseal the drive. See "Removing a Hard Drive From a Hard-Drive Carrier" on page 63.
 - d. Exit the configuration utility and allow the system to boot to the operating system.
- 2 Ensure that the required device drivers for your controller card are installed and are configured correctly. See the operating system documentation for more information.

- 3 Restart the system, enter the System Setup program, and verify that the controller is enabled and the drives appear in the System Setup program.
See "Using the System Setup Program" on page 30.
If the problem persists, see "Getting Help" on page 162.

Troubleshooting a Storage Controller



NOTE: When troubleshooting a SAS RAID controller, also see the documentation for your operating system and the controller.

- 1 Enter the System Setup program and ensure that the SAS controller is enabled. See "Using the System Setup Program" on page 30.
- 2 Restart the system and press the applicable key sequence to enter the configuration utility program.
 - <Ctrl><C> for a SAS 2008 daughter card
 - <Ctrl><H> for LSI 9260See the controller's documentation for information about configuration settings.
- 3 Check the configuration settings, make any necessary corrections, and restart the system.



CAUTION: Many repairs may only be done by a certified service technician. You should only perform troubleshooting and simple repairs as authorized in your product documentation, or as directed by the online or telephone service and support team. Damage due to servicing that is not authorized by Dell is not covered by your warranty. Read and follow the safety instructions that came with the product.

- 4 Turn off the system and attached peripherals, and disconnect the system from its electrical outlet.
- 5 Remove the system-board assembly. See "Removing a System-Board Assembly" on page 68.

- 6 Ensure that the controller card is firmly seated into the system board connector. See "Installing the Expansion Card" on page 77.
- 7 If you have a battery-cached SAS RAID controller, ensure that the RAID battery is properly connected and, if applicable, the memory module on the RAID card is properly seated.
- 8 Ensure that the cables are firmly connected to the storage controller and the SAS backplane board.
- 9 Install the system-board assembly. See "Installing a System-Board Assembly" on page 69.
- 10 Reconnect the system to its electrical outlet, and turn on the system and attached peripherals.
If the problem persists, see "Getting Help" on page 162.

Troubleshooting Expansion Cards



NOTE: When troubleshooting an expansion card, see the documentation for your operating system and the expansion card.



CAUTION: Many repairs may only be done by a certified service technician. You should only perform troubleshooting and simple repairs as authorized in your product documentation, or as directed by the online or telephone service and support team. Damage due to servicing that is not authorized by Dell is not covered by your warranty. Read and follow the safety instructions that came with the product.

- 1 Turn off the system and attached peripherals, and disconnect the system from the electrical outlet.
- 2 Remove the system-board assembly. See "Removing a System-Board Assembly" on page 68.
- 3 Ensure that each expansion card is firmly seated in its connector. See "Installing the Expansion Card" on page 77.
- 4 Install the system-board assembly. See "Installing a System-Board Assembly" on page 69.

- 5 Reconnect the system to the electrical outlet, and turn on the system and attached peripherals.
- 6 If the problem is not resolved, see "Getting Help" on page 162.

Troubleshooting Processors



CAUTION: Many repairs may only be done by a certified service technician. You should only perform troubleshooting and simple repairs as authorized in your product documentation, or as directed by the online or telephone service and support team. Damage due to servicing that is not authorized by Dell is not covered by your warranty. Read and follow the safety instructions that came with the product.

- 1 Turn off the system and attached peripherals, and disconnect the system from the electrical outlet.
- 2 Remove the system-board assembly. See "Removing a System-Board Assembly" on page 68.
- 3 Ensure that each processor and heat sink are properly installed. See "Installing a Processor" on page 73.
- 4 Install the system-board assembly. See "Installing a System-Board Assembly" on page 69.
- 5 Reconnect the system to the electrical outlet, and turn on the system and attached peripherals.
- 6 If the problem persists, turn off the system and attached peripherals, and disconnect the system from the electrical outlet.
- 7 Remove the system-board assembly. See "Removing a System-Board Assembly" on page 68.
- 8 Remove processor 2. See "Removing a Processor" on page 72.
- 9 Install the system-board assembly. See "Installing a System-Board Assembly" on page 69.

- 10 Reconnect the system to the electrical outlet, and turn on the system and attached peripherals.
If the problem persists, the processor is faulty. See "Getting Help" on page 162.
- 11 Turn off the system and attached peripherals, and disconnect the system from the electrical outlet.
- 12 Remove the system-board assembly. See "Removing a System-Board Assembly" on page 68.
- 13 Replace processor 1 with processor 2. See "Installing a Processor" on page 73.
- 14 Repeat step 9 through step 11.
If you have tested both the processors and the problem persists, the system board is faulty. See "Getting Help" on page 162.

IRQ Assignment Conflicts

Most PCI devices can share an IRQ with another device, but they cannot use an IRQ simultaneously. To avoid this type of conflict, see the documentation for each PCI device for specific IRQ requirements.

Table 4-1. Assignment Specific IRQ Requirements

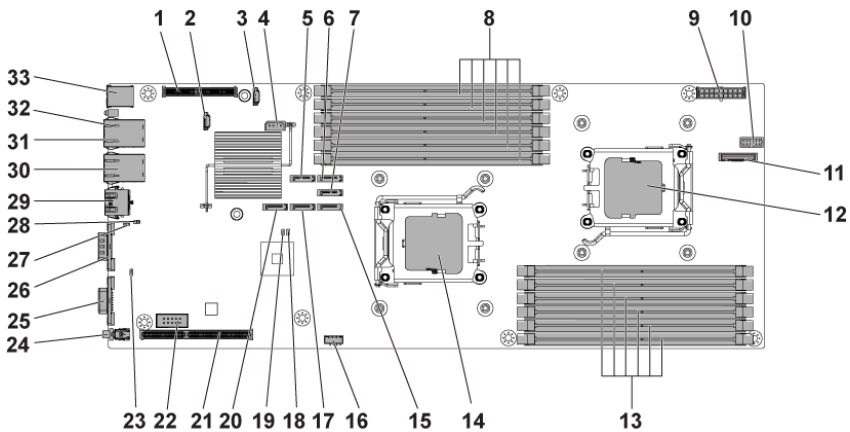
<u>IRQ</u> Line	Assignment	<u>IRQ</u> Line	Assignment
<u>IRQ</u> 0	8254 timer	<u>IRQ</u> 8	RTC
<u>IRQ</u> 1	Keyboard controller	<u>IRQ</u> 9	SCI
<u>IRQ</u> 2	Cascade for <u>IRQ</u> 9	<u>IRQ</u> 10	USB controller, NIC
<u>IRQ</u> 3	Serial port	<u>IRQ</u> 11	VGA, USB controller
<u>IRQ</u> 4	Serial port	<u>IRQ</u> 12	Mouse controller
<u>IRQ</u> 5	Free	<u>IRQ</u> 13	Processor
<u>IRQ</u> 6	Free	<u>IRQ</u> 14	Primary IDE controller
<u>IRQ</u> 7	USB controller	<u>IRQ</u> 15	Secondary IDE controller

Jumpers and Connectors

System Board Connectors

This section provides specific information about the system jumpers. It also provides some basic information on jumpers and switches and describes the connectors on the various boards in the system.

Figure 5-1. System Board Connectors



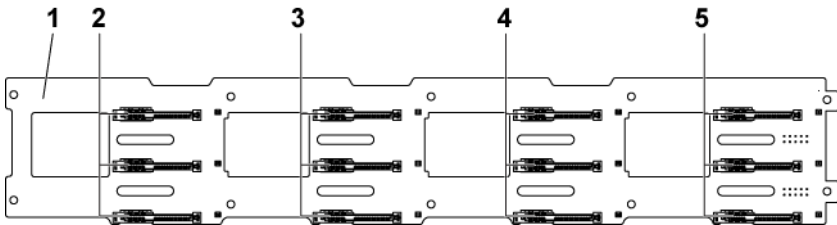
- | | | | |
|----|-------------------------------|----|------------------------------|
| 1 | PCI-E daughter card connector | 2 | SGPIO connector 2 |
| 3 | SGPIO connector 1 | 4 | IPMB connector |
| 5 | onboard SATA2 connector 5 | 6 | onboard SATA2 connector 3 |
| 7 | onboard SATA2 connector 2 | 8 | DIMM sockets for processor 1 |
| 9 | main power connector | 10 | front panel connector |
| 11 | system battery | 12 | processor 0 |
| 13 | DIMM sockets for processor 0 | 14 | Processor 1 |
| 15 | onboard SATA2 connector 1 | 16 | internal USB connector |
| 17 | onboard SATA2 connector 3 | 18 | password jumper |

- | | | | |
|----|-----------------------|----|---------------------------|
| 19 | BIOS recovery jumper | 20 | onboard SATA2 connector 6 |
| 21 | expansion slot | 22 | internal COM connector |
| 23 | BMC disable jumper | 24 | power button |
| 25 | VGA port | 26 | serial port |
| 27 | clear CMOS jumper | 28 | COM switch |
| 29 | management port | 30 | NIC2 connector (RJ45) |
| 31 | NIC1 connector (RJ45) | 32 | ID LED |
| 33 | USB ports | | |

Backplane Connectors

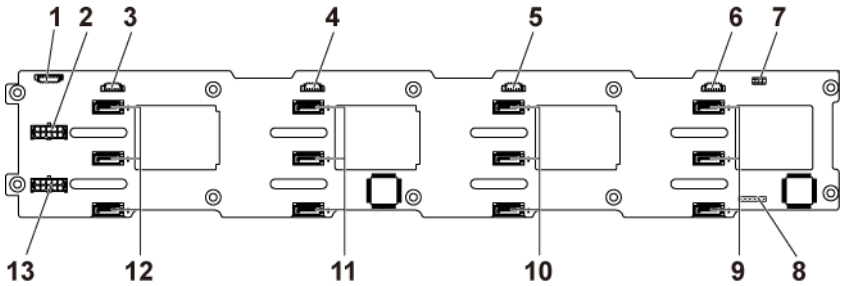
3.5" drives

Figure 5-2. Front View of the Backplane



- | | | | |
|---|--|---|--|
| 1 | 3.5" backplane | 2 | SATA2 and SAS connectors 1,2 and 3 for system board 1 (from top to bottom) |
| 3 | SATA2 and SAS connector 1,2 and 3 for system board 2 (from top to bottom) | 4 | SATA2 and SAS connectors 1,2 and 3 for system board 3 (from top to bottom) |
| 5 | SATA2 and SAS connectors 1,2 and 3 for system board 4 (from top to bottom) | | |

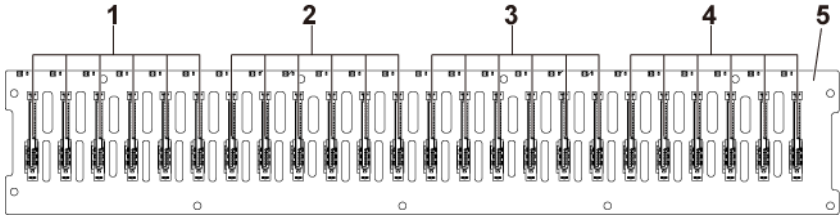
Figure 5-3. Back View of the Backplane



- | | | | |
|----|--|----|--|
| 1 | fan controller board connector | 2 | backplane power connector for power supply 1 |
| 3 | SGPIO connector for system board 4 | 4 | SGPIO connector for system board 3 |
| 5 | SGPIO connector for system board 2 | 6 | SGPIO connector for system board 1 |
| 7 | backplane jumper | 8 | CPLD JTAG connector |
| 9 | SATA2 hard drive connectors 1,2, and 3 for system board 1 (from top to bottom) | 10 | SATA2 hard drive connectors 1,2, and 3 for system board 2 (from top to bottom) |
| 11 | SATA2 hard drive connectors 1,2, and 3 for system board 1 (from top to bottom) | 12 | SATA2 hard drive connectors 1,2, and 3 for system board (from top to bottom) |
| 13 | backplane power connector for power supply 2 | | |

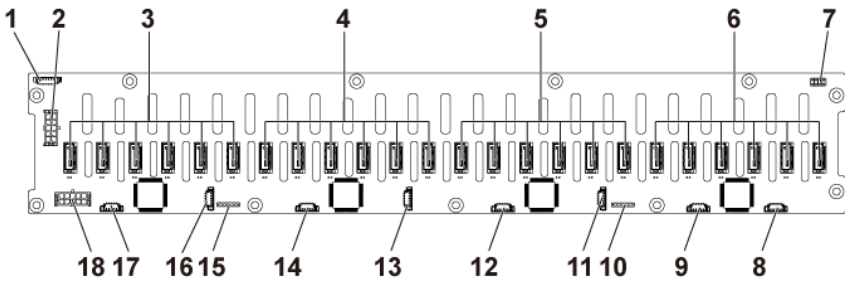
2.5" drives

Figure 5-4. Front View of the Backplane



- | | | | |
|---|---|---|---|
| 1 | SATA2 and SAS connectors 1 to 6 for system board 1 (from left to right) | 2 | SATA2 and SAS connectors 1 to 6 for system board 2 (from left to right) |
| 3 | SATA2 and SAS connectors 1 to 6 for system board 3 (from left to right) | 4 | SATA2 and SAS connectors 1 to 6 for system board 4 (from left to right) |
| 5 | 2.5" backplane | | |

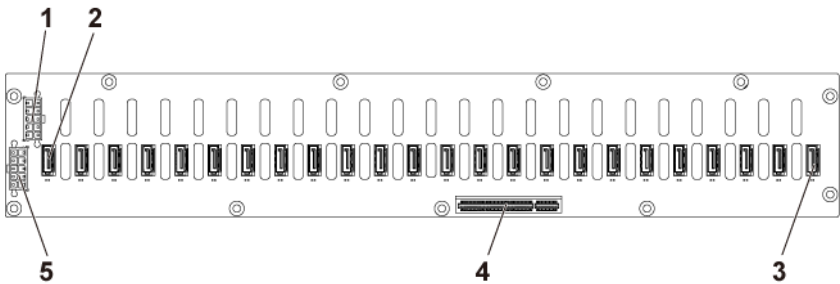
Figure 5-5. Back View of the Backplane-Type 1



- | | | | |
|---|--|---|--|
| 1 | system fan board connector | 2 | backplane power connector for power supply 1 |
| 3 | SATA2 hard drive connectors 1 to 6 for system board 4 (from right to left) | 4 | SATA2 hard drive connectors 1 to 6 for system board 3 (from right to left) |

- | | | | |
|----|--|----|--|
| 5 | SATA2 hard drive connectors 1 to 6 for system board 2 (from right to left) | 6 | SATA2 hard drive connectors 1 to 6 for system board 1 (from right to left) |
| 7 | backplane jumper | 8 | SGPIO connector A for system board 1 |
| 9 | SGPIO connector B for system board 1 | 10 | CPLD JTAG connector |
| 11 | SGPIO connector A for system board 2 | 12 | SGPIO connector B for system board 2 |
| 13 | SGPIO connector A for system board 3 | 14 | SGPIO connector B for system board 3 |
| 15 | CPLD JTAG connector | 16 | SGPIO connector A for system board 4 |
| 17 | SGPIO Connector B for system board 4 | 18 | backplane power connector for power supply 2 |

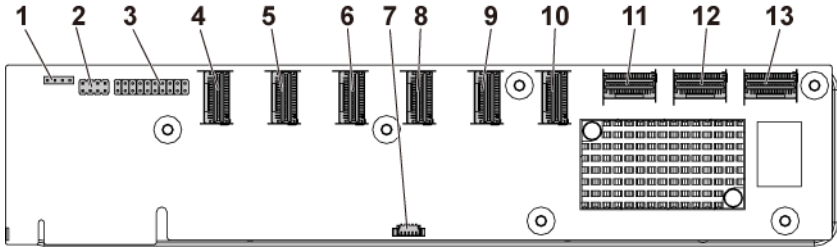
Figure 5-6. Back View of the Backplane-Type 2



- | | | | |
|---|-------------------------------|---|---------------------------------|
| 1 | power supply connector 2 | 2 | HDD connector number 24-port 24 |
| 3 | HDD connector number 1-port 1 | 4 | PCIEx8 connector |
| 5 | power supply connector 1 | | |

Expander Card Connectors

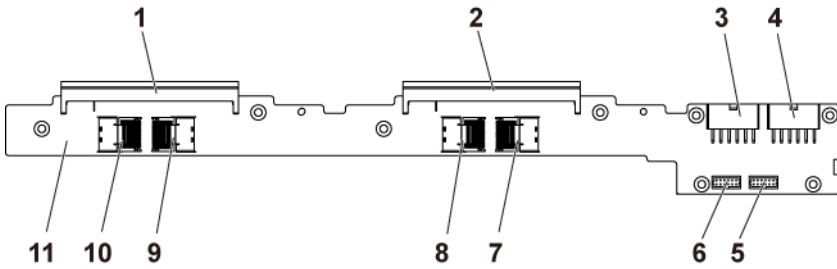
Figure 5-7. Expander Card Connectors



- | | | | |
|----|-----------------------------------|----|-----------------------------------|
| 1 | UART connector | 2 | expander card jumper |
| 3 | JTAG connector | 4 | mini-SAS connector 1 (port 1-4) |
| 5 | mini-SAS connector 2 (port 5-8) | 6 | mini-SAS connector 3 (port 9-12) |
| 7 | SGPIO connector | 8 | mini-SAS connector 4 (port 13-16) |
| 9 | mini-SAS connector 5 (port 17-20) | 10 | mini-SAS connector 6 (port 21-24) |
| 11 | system board 1 mini-SAS connector | 12 | system board 2 mini-SAS connector |
| 13 | system board 4 mini-SAS connector | | |

Middle Plane Connectors

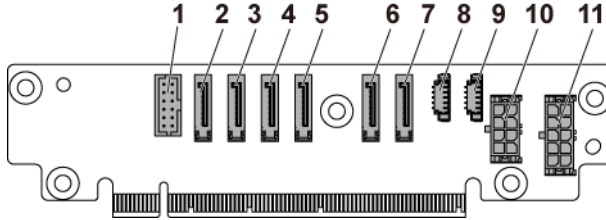
Figure 5-8. Middle Plane Connectors



- | | | | |
|----|---|----|---|
| 1 | middle plane connector 1 | 2 | middle plane connector 2 |
| 3 | middle plane power connector for system board 1 and 2 | 4 | middle plane power connector for system board 3 and 4 |
| 5 | front panel connector for system boards 3 and 4 | 6 | front panel connector for system board 1 and 2 |
| 7 | mini-SAS connector for system boards 3 and 4 (hard drive 1,2,3 and 4) | 8 | mini-SAS connector for system board 3 and 4 (hard drive 5 and 6) |
| 9 | mini-SAS connector for system boards 1 and 2 (hard drive 1,2,3 and 4) | 10 | mini-SAS connector for system boards 1 and 2 (hard drive 5 and 6) |
| 11 | middle plane | | |

Interposer Extender Connectors

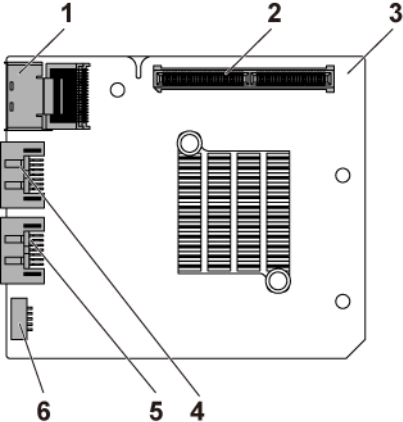
Figure 5-9. Interposer Extender Connectors



- | | | | |
|----|---------------------------|----|---------------------------|
| 1 | front panel connector | 2 | onboard SATA2 connector 1 |
| 3 | onboard SATA2 connector 2 | 4 | onboard SATA2 connector 3 |
| 5 | onboard SATA2 connector 4 | 6 | onboard SATA2 connector 5 |
| 7 | onboard SATA2 connector 6 | 8 | SGPIO connector A |
| 9 | SGPIO connector B | 10 | 2x4pin power connector |
| 11 | 2x5pin power connector | | |

Daughter Card Connectors

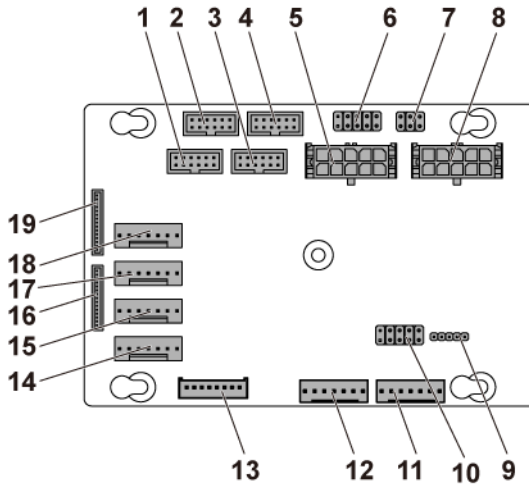
Figure 5-10. Daughter Card Connectors



- | | | | |
|---|--------------------|---|-------------------------|
| 1 | mini-SAS connector | 2 | daughter card connector |
| 3 | daughter card | 4 | SAS port 4 |
| 5 | SAS port 5 | 6 | SGPIO connector B |

Fan Controller Board Connectors

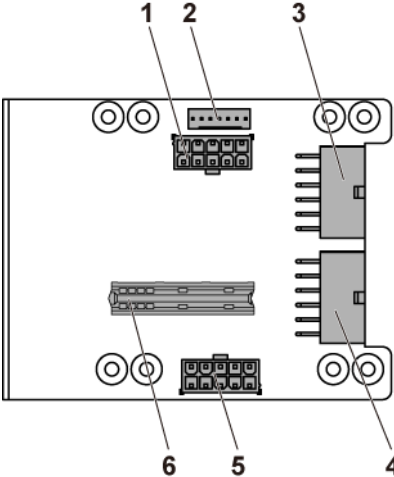
Figure 5-11. Fan Controller Board Connectors



- | | | | |
|----|--|----|---|
| 1 | front panel connector for system board 4 | 2 | front panel connector for system board 2 |
| 3 | front panel connector for system board 1 | 4 | front panel connector for system board 3 |
| 5 | system fan board power connector 1 | 6 | PIC firmware recovery and PS-ON connector |
| 7 | system fan speed control jumper | 8 | system fan board power connector 2 |
| 9 | PIC firmware update connector | 10 | product ID select and power throttling disable jumper |
| 11 | system fan board connector 2 | 12 | system fan board connector 1 |
| 13 | hard drive backplane connector | 14 | system fan connector 4 |
| 15 | system fan connector 3 | 16 | front panel connector 2 |
| 17 | system fan connector 2 | 18 | system fan connector 1 |
| 19 | front panel connector 1 | | |

Power Distribution Board Connectors

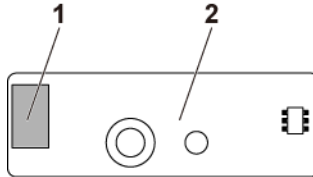
Figure 5-12. Power Distribution Board Connectors



- | | | | |
|---|---|---|---|
| 1 | backplane power connector | 2 | system fan board connector |
| 3 | main power connector for system board 3 and 4 | 4 | main power connector for system board 1 and 2 |
| 5 | system fan board power connector | 6 | bridge card connector |

Sensor Board Connectors

Figure 5-13. Sensor Board Connectors



1 power connector

2 sensor board

Jumper Settings



CAUTION: Many repairs may only be done by a certified service technician. You should only perform troubleshooting and simple repairs as authorized in your product documentation, or as directed by the online or telephone service and support team. Damage due to servicing that is not authorized by Dell is not covered by your warranty. Read and follow the safety instructions that came with the product.

System Configuration Jumper Settings

The function of system configuration jumper installed on each system board is shown below:

Figure 5-14. System Configuration Jumpers

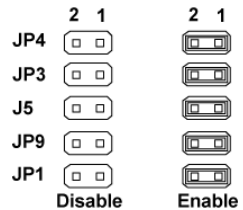
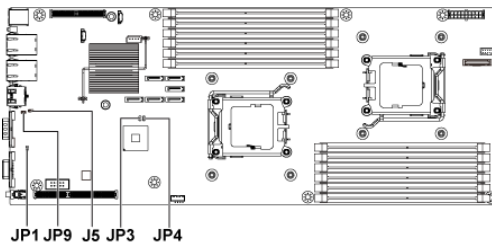


Table 5-1. System Configuration Jumper

Jumper	Function	Off	On
JP4	Clear Password	*Disable	Enable
JP3	BIOS Recovery	*Disable	Enable
J5	COM Port Switch**	*Disable	Enable
JP9	Clear CMOS	*Disable	Enable
JP1	BMC Configuration	*Disable	Enable



NOTE: The * in the table of system configuration jumper describes the default status and the default state is not active state.



NOTE: ** means if disabled, BMC Port 1 is set to internal and port 2 to external; if enabled, BMC Port 1 is set to external, and internal port has no function.

Backplane Jumper Settings



CAUTION: Many repairs may only be done by a certified service technician. You should only perform troubleshooting and simple repairs as authorized in your product documentation, or as directed by the online or telephone service and support team. Damage due to servicing that is not authorized by Dell is not covered by your warranty. Read and follow the safety instructions that came with the product.

The function of jumpers installed on 3.5" backplane and 2.5" backplane is the same. Following is an example using the jumpers installed on 3.5" backplane.

Figure 5-15. Jumper Installed on Backplane

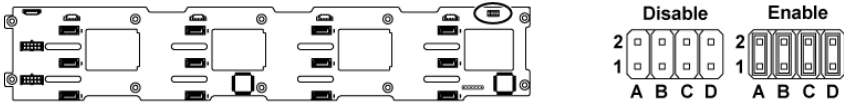


Table 5-2. Jumpers Installed on Backplane

Jumper	Function	Off	On
A	HDD Type Select	*Disable	Enable
B	SAS Code Select	*Disable	Enable
C	MFG Test	*Disable	Enable
D	LED Control	*Disable	Enable



NOTE: The * in the table of backplane jumper describes the default status and the default state is not active state. When connecting the 1CH SAS daughter card, insert the jumper cover onto the hard drive type select jumper. For onboard SATA2 connectors, do not insert the jumper cover onto the hard drive type select jumper.

Backplane Expander Card Jumper Settings



CAUTION: Many repairs may only be done by a certified service technician. You should only perform troubleshooting and simple repairs as authorized in your product documentation, or as directed by the online or telephone service and support team. Damage due to servicing that is not authorized by Dell is not covered by your warranty. Read and follow the safety instructions that came with the product.

The function of backplane jumper installed on the expander card is shown below:

Figure 5-16. Jumper Installed on Expander Card

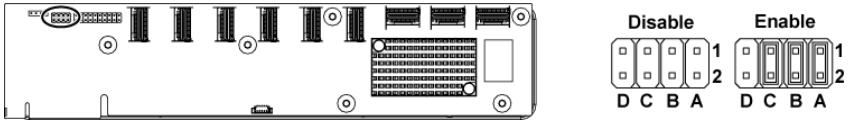


Table 5-3. Jumpers Installed on Expander Card

Jumper	Function	Off	On
A	SAS Card Selection	*Disable	Enable
B	MLB Mode Selection	*Disable	Enable
C	UART Selection	*Disable	Enable
D	Reserved	—	—



NOTE: The * in the table of system configuration jumper describes the default status and the default state is not active state.

Getting Help

Contacting Dell

For customers in the United States, call 800-WWW-DELL (800-999-3355).



NOTE: If you do not have an active Internet connection, you can find contact information on your purchase invoice, packing slip, bill, or Dell product catalog.

Dell provides several online and telephone-based support and service options. Availability varies by country and product, and some services may not be available in your area. To contact Dell for sales, technical support, or customer service issues:

- 1 Visit **support.dell.com**. Click your country/region at the bottom of the page. For a full listing of country/region, click **All**. Click **All Support** from **Support** menu.
- 2 Select the appropriate service or support link based on your need.
- 3 Choose the method of contacting Dell that is convenient for you.

Index

A

about your system, 11

B

back panel features, 18

backplane

installing, 115

removing, 112

backplane jumper settings, 159

batteries

troubleshooting, 137

battery (system)

replacing, 89

blank

hard drive, 60

C

collecting system event Log, 24

contacting dell, 162

cooling fans

installing, 100

removing, 98

troubleshooting, 139

D

damaged systems

troubleshooting, 137

daughter card

installing, 81

removing, 80

Dell

contacting, 162

drive blank

installing, 61

removing, 60

E

expansion card

installing, 77

removing, 75

troubleshooting, 144

expansion card connector

installing, 800

removing, 78

F

fan controller board removing,
103

features and indicators

front panel, 12

front panel features, 12

front panel installing, 124

front panel removing, 121

H

hard drive

installing hard-drive carrier, 62

removing hard-drive carrier, 61

troubleshooting, 142

heat sink installing, 71

heat sink removing, 70

- heat sinks
 - installing, 71
 - removing, 70

I

- indicator codes
 - AC power, 22
 - hard-drive indicator, 14
 - NIC, 20
 - NIC (Management Port), 21
 - power and system board, 21
- indicators
 - back panel, 18
 - front panel, 12
- installing
 - backplane, 115
 - cooling fan, 100
 - expander card, 12020
 - expansion card, 77
 - expansion card connector, 80
 - front panel, 124
 - hard drive blank, 61
 - heat sink, 71
 - hard drive carrier, 62
 - interposer extender, 88
 - memory modules, 85
 - middle planes, 110
 - power supply, 67
 - processor, 73
 - SAS daughter card, 81
 - sensor board, 127
 - system board, 96
 - system board assembly, 69
- interposer extender
 - installing, 88
 - removing, 87

K

- keyboards
 - troubleshooting, 133

L

- LEDs
 - BMC heart beat, 23

M

- memory
 - troubleshooting, 140
- memory modules
 - installing, 85
 - removing, 84
- memory modules (DIMMs)
 - configuration, 82
- middle planes
 - installing, 110
 - removing, 105

N

- NICs
 - troubleshooting, 135

P

- phone number, 162
- POST
 - accessing system features, 11
- power distribution board
 - removing, 100
- power supplies
 - installing, 67
 - removing, 66

- processor
 - installing, 73
 - removing, 72

- processors
 - troubleshooting, 145

R

- removing
 - backplane, 112
 - cooling fan, 98
 - daughter card, 80
 - expander card, 116
 - expansion card, 75
 - expansion card connector, 78
 - fan controller board, 103
 - front panel, 121
 - hard drive, 61
 - hard drive blank, 60
 - heat sink, 70
 - interposer extender, 87
 - memory modules (DIMMs), 84
 - middle planes, 105
 - power distribution board, 100
 - power supply, 66
 - processor, 72
 - sensor board, 125
 - system board, 95
 - system board assembly, 68
- replacing
 - system battery, 89

S

- Safety, 58, 132

- SAS controller daughter card
 - troubleshooting, 143

- SAS RAID controller daughter card
 - troubleshooting, 143

- startup
 - accessing system features, 11
- support

- contacting dell, 162

- system

- closing, 98
 - opening, 97

- system board

- connectors, 147
 - installing, 96
 - jumper settings, 158
 - removing, 95

- system board assembly

- installing, 69
 - removing, 68

- system cooling

- troubleshooting, 139

- system features

- accessing, 11

- system setup

- boot settings configuration, 47

- LAN configuration, 51

- memory configuration, 38

- PCI configuration, 43

- CPU Configuration, 35

- processor, 34

- remote access configuration, 52

- SATA configuration, 39

- system memory, 34

- USB configuration, 44

T

- telephone number, 162
- troubleshooting
 - cooling fans, 139
 - damaged system, 137
 - expansion cards, 144
 - external connections, 133
 - hard drive, 142
 - keyboard, 133
 - memory, 140
 - NIC, 135
 - processors, 145
 - SAS RAID controller daughter card, 143
 - sequence, 132

- system battery, 137
- system boot issues, 24
- system cooling problems, 139
- video, 133
- wet system, 136

V

- video
 - troubleshooting, 133

W

- warranty, 28
- wet system
 - troubleshooting, 136